

1:14 Electric four drive big-legged car

14+



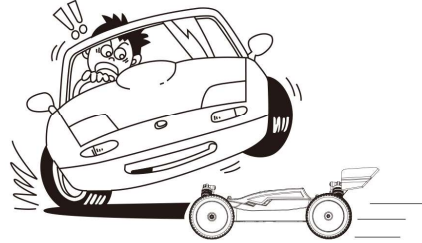
Caution: This model is not a toy, it is designed for user over 14 years of age.

Please use this instruction and the R/C system instruction at the same time.

The instruction is suitable for a type of model whose number is 144002

Safety and Cautions

- *Never run the model on public roads or streets, as it could interfere with traffic.
- *To prevent property damage and/or personal injury. Never run the model in crowded areas, near or toward people or animals,
- *Never run the model near rivers, ponds or lakes.
- *Make sure that no one else is using the same frequency in your running area. Using the same frequency at the same time, can cause loss of control with R/C model, resulting in serious accidents.
- *To avoid a runaway R/C model or loss of control always follow the procedure below;
 1. Fully extend transmitter antenna.
 2. Switch the transmitter on.
 3. Switch on the R/C model.
- *Follow reverse procedure to shut down.
- *Never touch or block rotating tire.
- *Never run R/C model in the rain or in puddles, as water may cause trouble with R/C model.
- *Motor and battery get very hot after running. Take care when handle them.
- *Retract transmitter antenna when not in use.
- *Remove the batteries from model and transmitter when they are not in use.


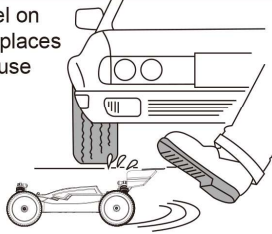








Cautions when handling batteries

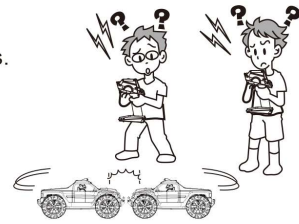
- *Do not dismantle the battery or charger and do not cut and battery cables. Altering the battery may cause short-circuit and/or damage to the product.
- *Charge battery with compatible charger following proper procedure outlined in the instructions. Do not modify charger or charge battery in improper way.
- *Do not recharge battery if it is still warm from use as it may damage the battery. Allow the battery to cool off prior to recharging.
- *Make sure to disconnect charger from R/C model and electrical outlet when not in use.
- *Remove transmitter battery when not using it for a long period of time as it may leak and damage transmitter.
- *Never incinerate used batteries, as they can explode causing serious accidents.



Safety precautions

<p>Do not operate the model on public roads, in crowded places or near infants, it may cause accidents or injury.</p>  	<p>The product includes small and sharp parts, assemble and store this product only in places out of the reach of children.</p>  
<p>The front end of the antenna may be dangerous, do not aim it toward faces.</p>  	<p>During and after operation, the motor will be hot. Please do not touch it until it has had time to cool down.</p>  

When multiple vehicles are being operated nearby, ensure that each vehicle and controller pair are set to different frequencies. Or else the car will lose control and may lead to damage, serious accidents or injury.



Troubleshooting

Description	Cause	Solution
The car does not operate at all.	Transmitter or receiver is off.	Turn on both transmitter and receiver.
	Batteries are not installed properly in the transmitter.	Place batteries in the transmitter properly.
	The drive battery is not charged enough.	Charge the drive battery.
The car does not follow your operation and control distance is not long enough.	Someone else is using the same radio frequency as you are using.	Change your radio frequency to the one no one else is using, wait until the driver using the same radio frequency finishes driving, or drive your car at a different place.
	There is not enough power in the transmitter or receiver batteries.	Replace the transmitter batteries with new ones and charge the drive battery.
	Antenna not fully tightened on the transmitter/not fully extend.	Make sure to insert the antenna into the transmitter and fully extend the antenna.

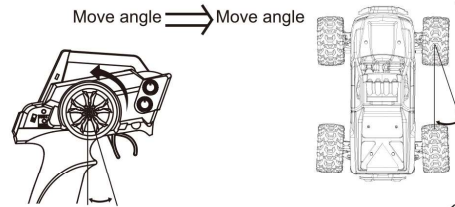


CAUTION

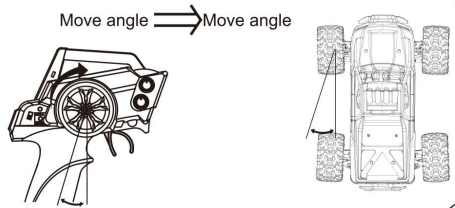
- * Please review the operation manual and packing explanation to install and use, some parts should be installed by adults.
- * The product contains small part, which may cause choking.
- * Never run the R/C model in the rain or wet areas, it may cause electronic parts to malfunction.
- * Dispose of the package appropriately and keep out of reach of children.
- * Inspect the RC car for damage to the charge, wire, plug, bodyshell or other parts prior to operation. If damage is found, repair the broken parts before use.
- * The charger, battery box and battery must be only be used with the designated Speed RC charging system.
- * This product must only be used with the original Speed RC charger.
- * This product may be dangerous to the children.

Proportional R/C Using Instruction

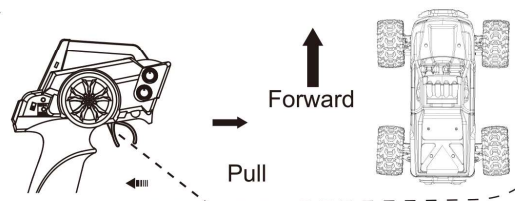
- ① Turn the steering wheel left, the car will turn left. Steering angle can be adjusted by increasing/decreasing the degree of wheel rotation.



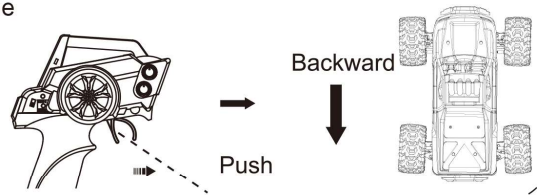
- ② Turn the steering wheel right, the car will turn right. Steering angle can be adjusted by increasing/decreasing the degree of wheel rotation.



- ③ Pull the throttle trigger backward, the car will drive forward. Adjusting the angle of throttle trigger can adjust forward speed of the car. To stop the car, quickly push the trigger forward.

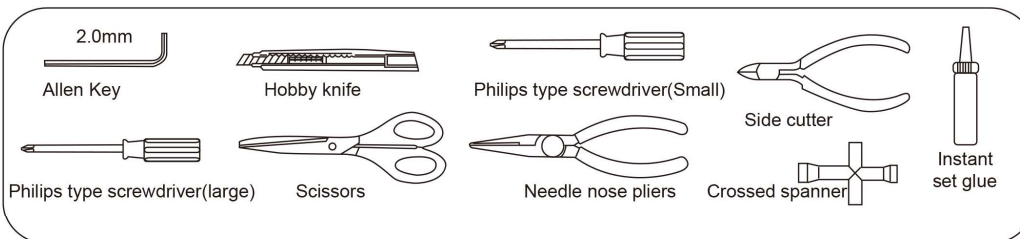


- ④ Loosen the trigger to allow it return the neutral position. Push the throttle trigger forward, the car will reverse. Adjusting forward angle of throttle trigger adjust reverse speed of the car.



Introduce the common tools and assemble the electron parts

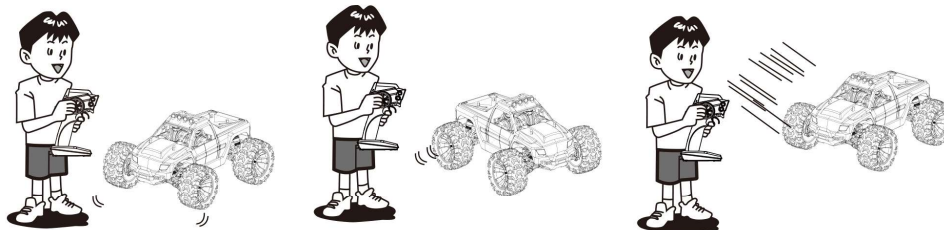
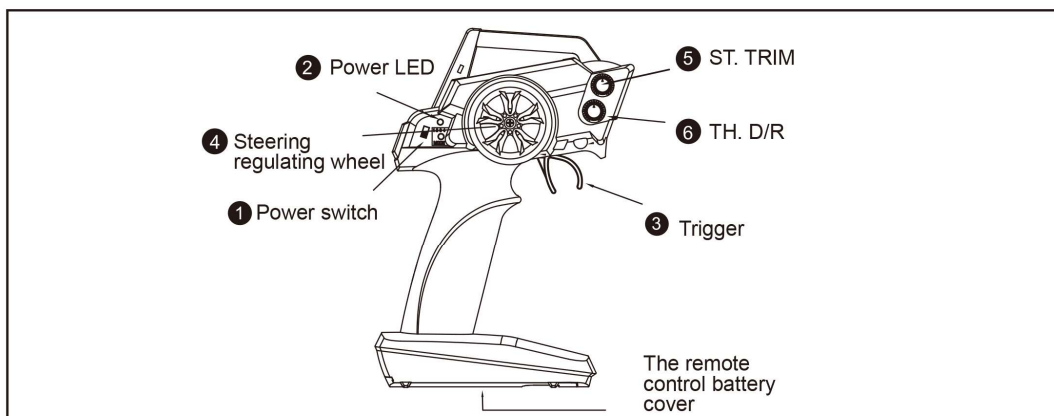
Tools needed for assembly



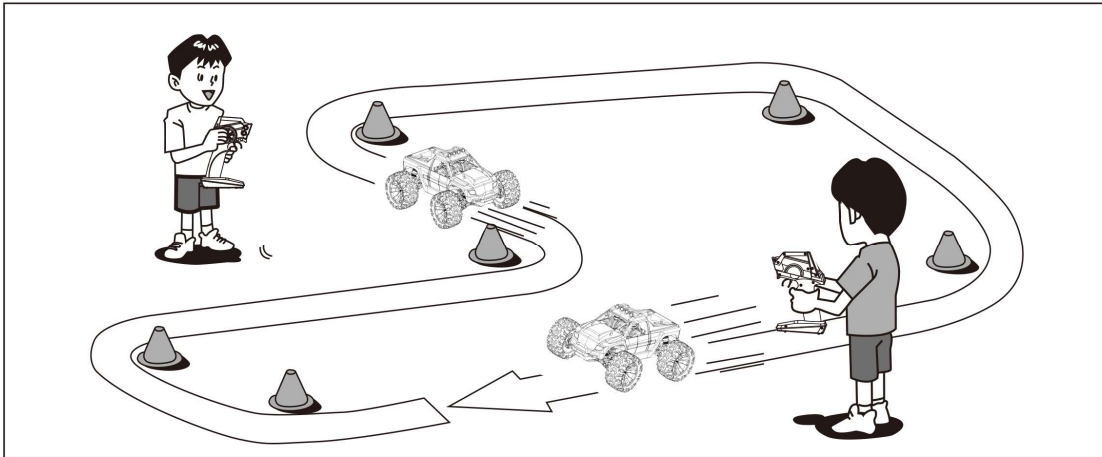
PRACTICE AND MAINTENANCE

Operating program

1. Turn on the power switch **1** on the remote and make sure the power indicator **2** flashes red, then turn on the model car's power switch.
2. Gently trigger the remote control to observe if the car can move forward and backward.
3. Turn the remote control steering wheel **4** to the left or right and make sure that the front wheel's steering follows the command.
4. The model car on the ground, and standing behind the model car, gently hook the remote control throttle trigger **3**, if the model car does not go straight, rotate the remote control front wheel trim **5**, the model car to the right side, the front wheel Turn the trim to the left, the model car leans to the left, and the front wheel trims to the right to rotate until the model car can go straight.
5. Throttle speed adjustment **6** can adjust the model car speed, rotate to the right, hook the trigger model car speed becomes faster, turn left, hook the trigger model car speed becomes slower.
6. If everything operates OK, the SPEED RC is ready to run.

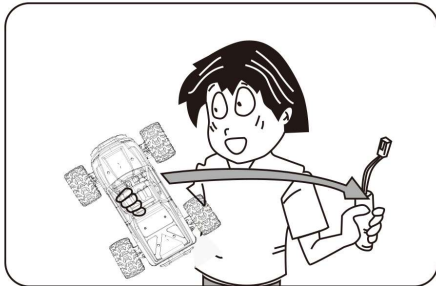


Practice

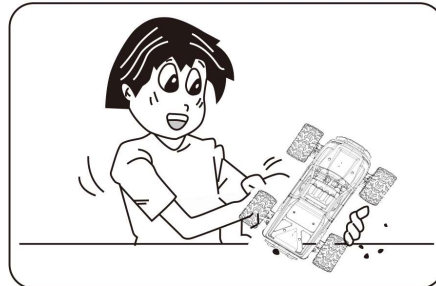


Let's practice! Make an R/C car circuit at a wide and safe location using corner pylons (available separately), empty cans or such. Drive fast on straight section and slow down for curved sections.

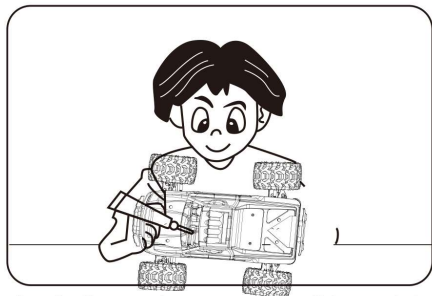
Maintain



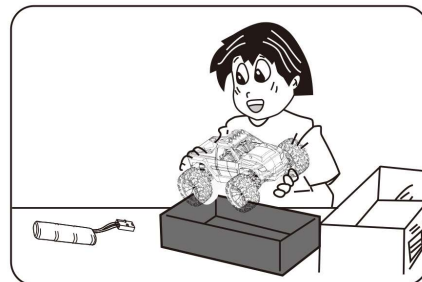
When the car is not in use, you should remove the battery from the car.



Completely remove sand, mud, dirt etc.

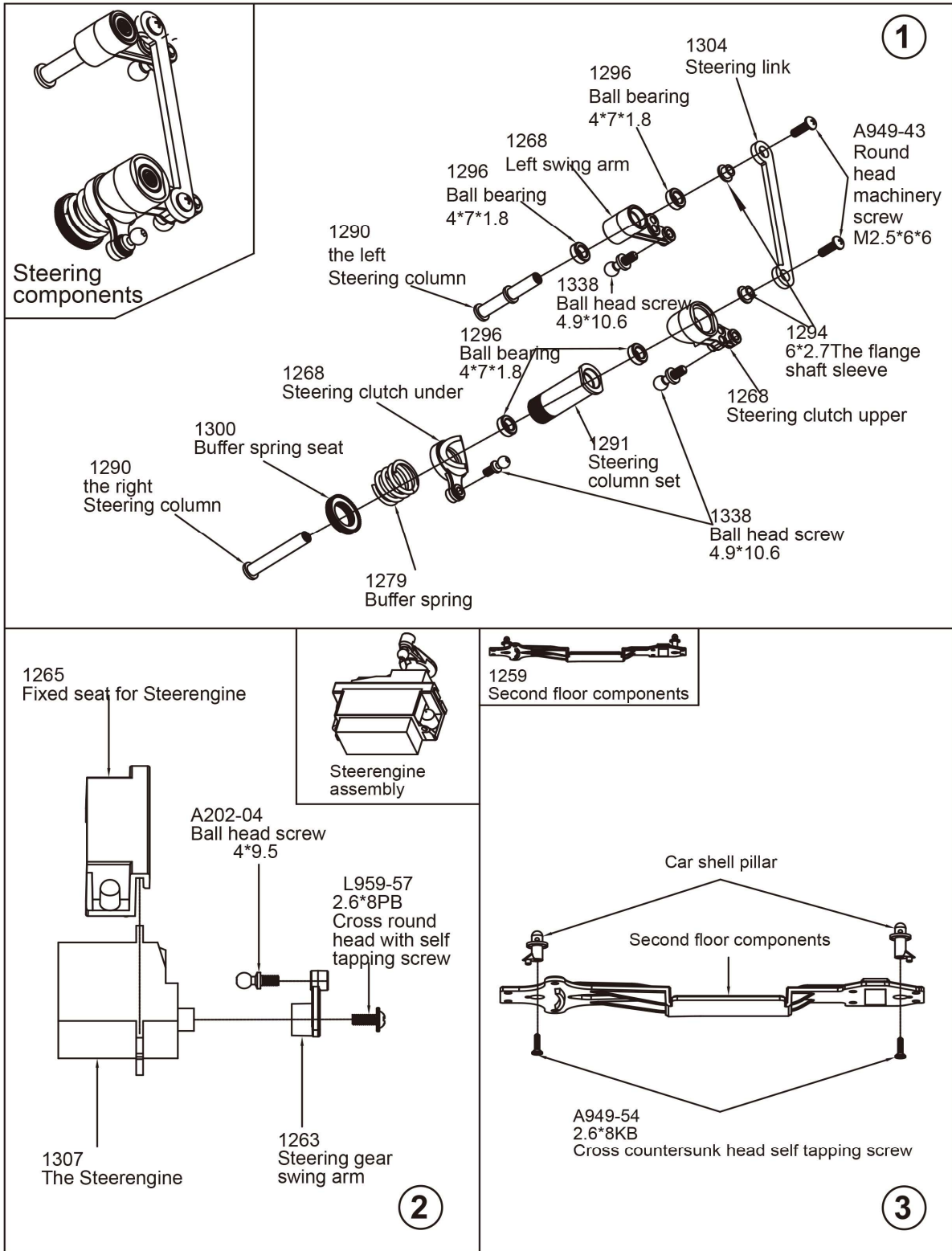


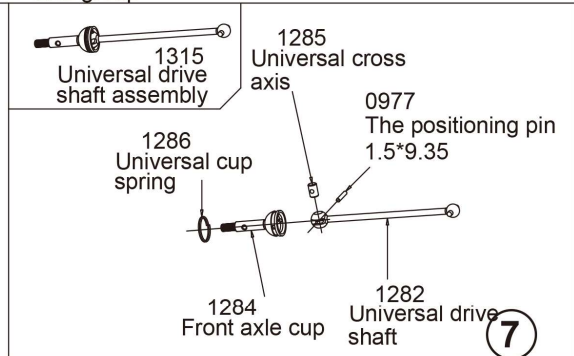
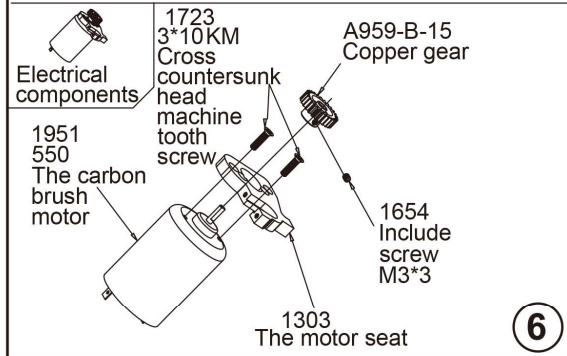
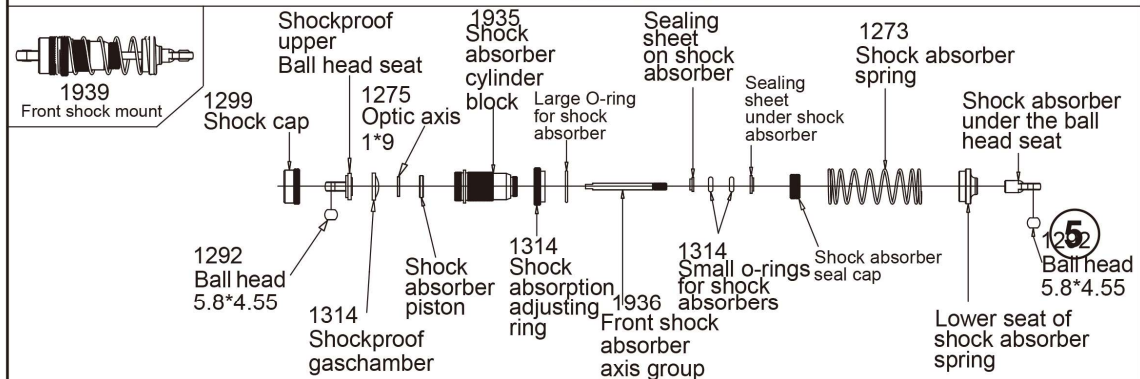
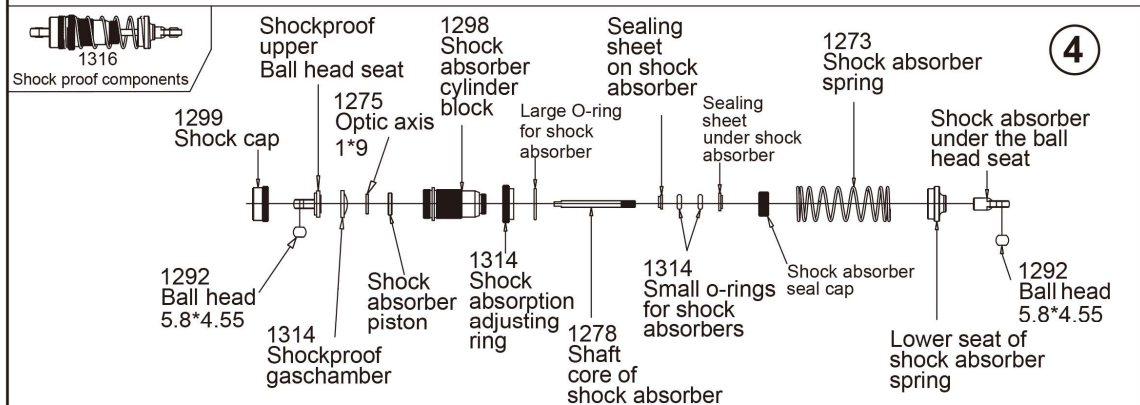
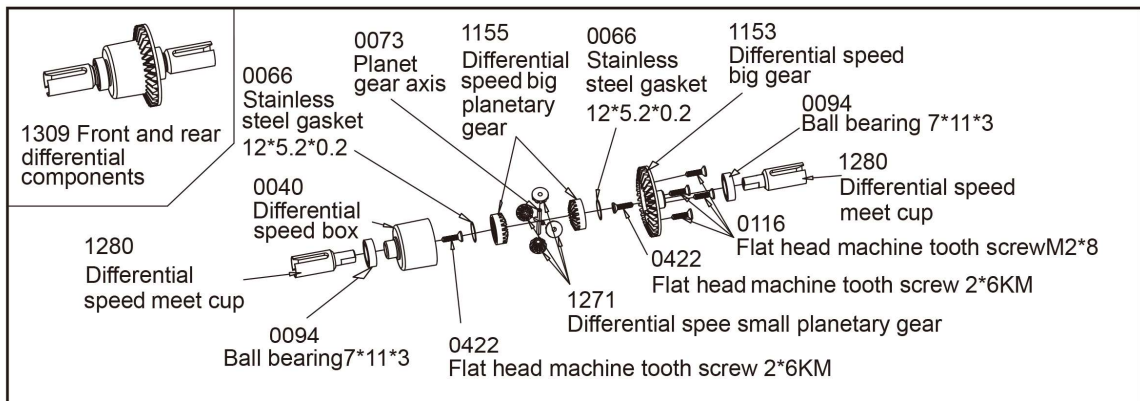
Apply the rust prevention oil to metal parts.



Store the car and batteries separately when not in use.

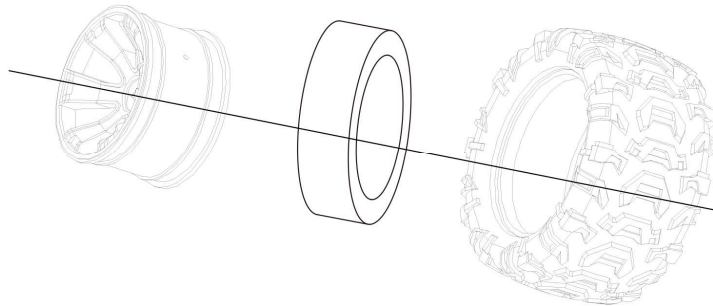
Assembly Exploded Diagram







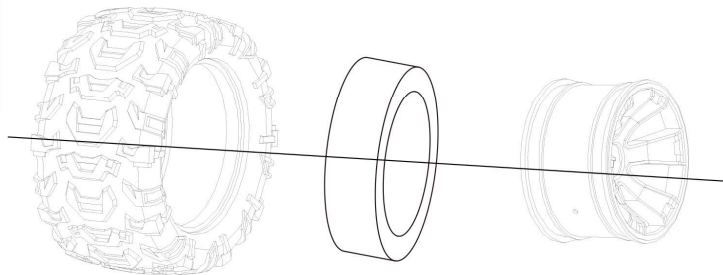
1992
right tire



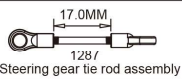
8



1992
Left tire



9

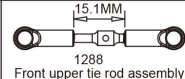


1287
Steering gear
pull ball
head
seat

1287
Steering gear
connect rod
2*26

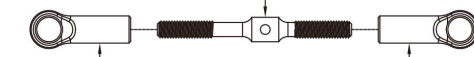
1287
Steering
gear pull
ball head
seat

10



1288
Front upper tie rod assembly

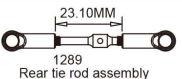
Short rod 4.5*36



The ball head block

The ball head block

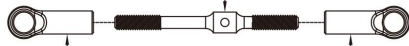
12



1289
Rear tie rod assembly

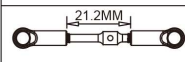
Long rod 4.5*40

11



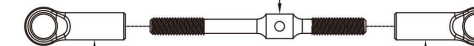
The ball head block

The ball head block



1289
Steering tie rod assembly

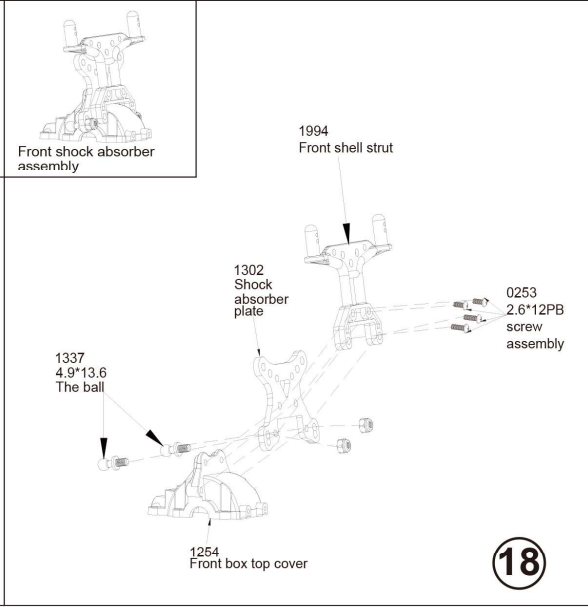
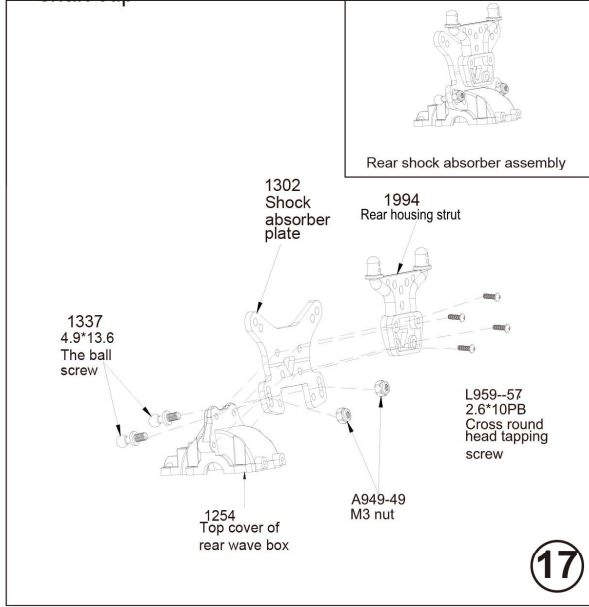
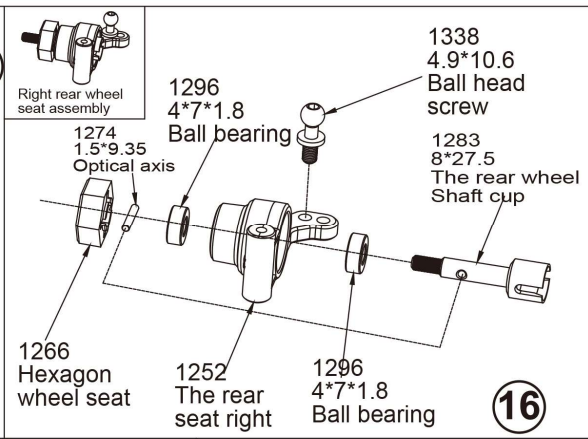
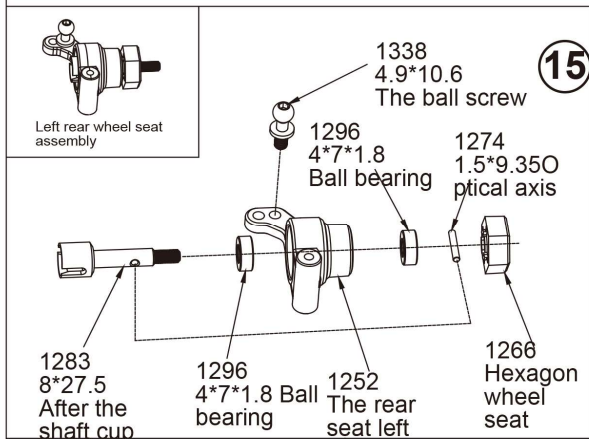
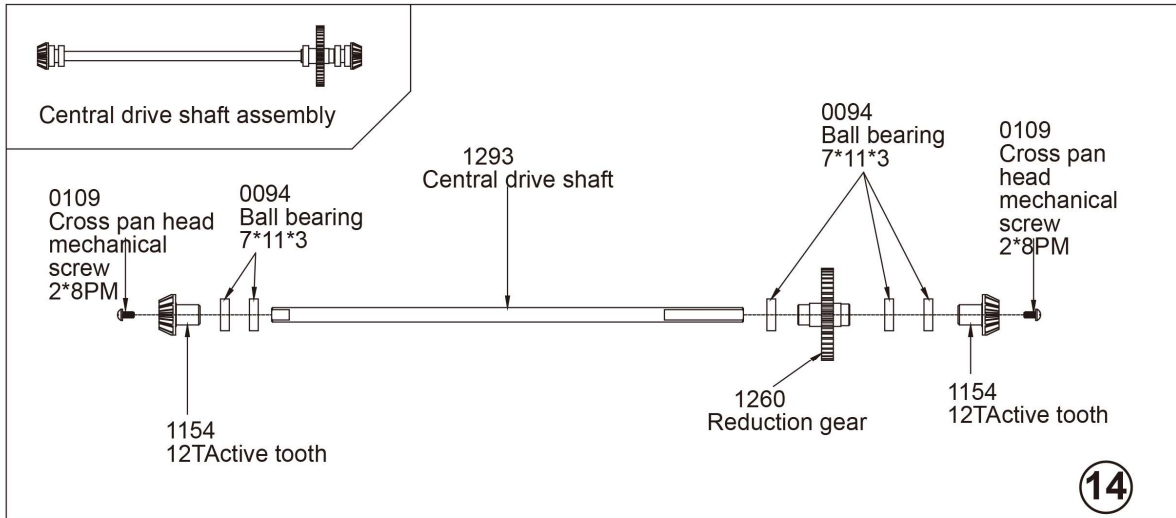
Short rod 4.5*40

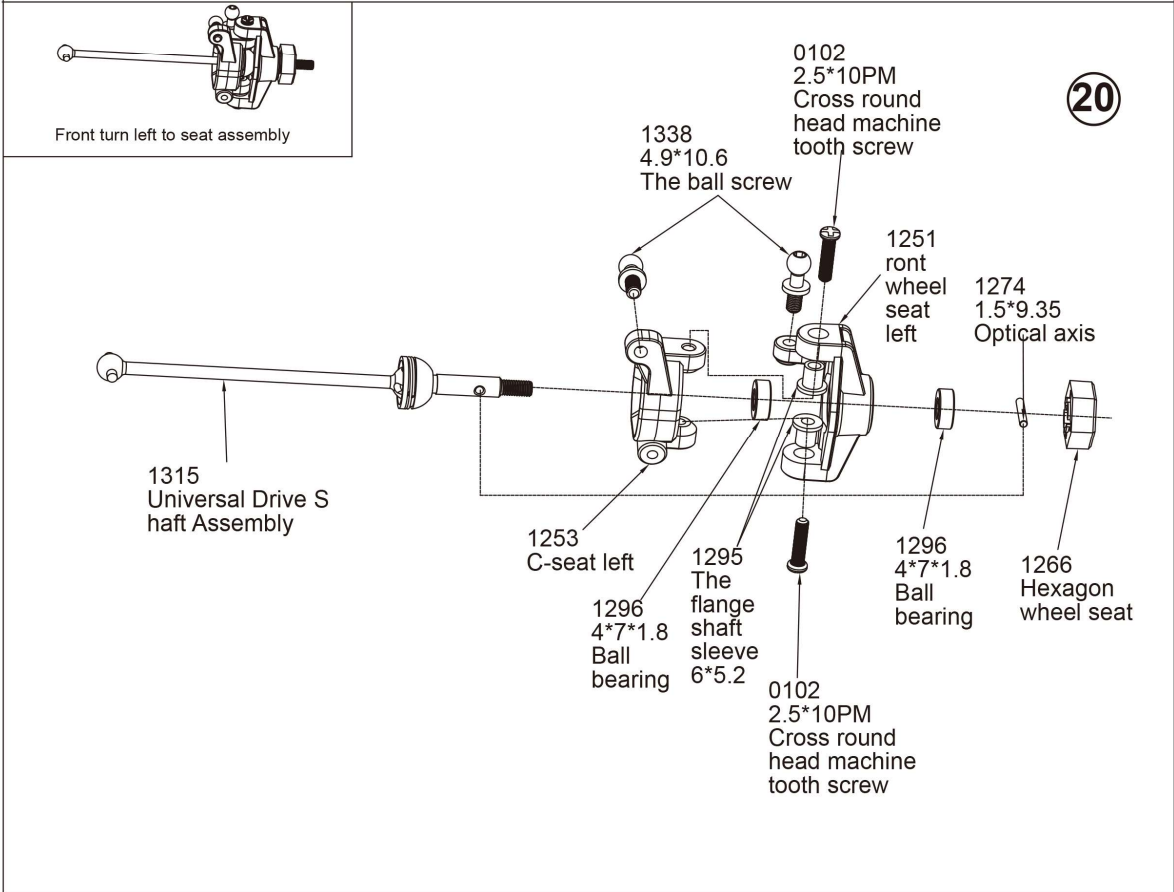
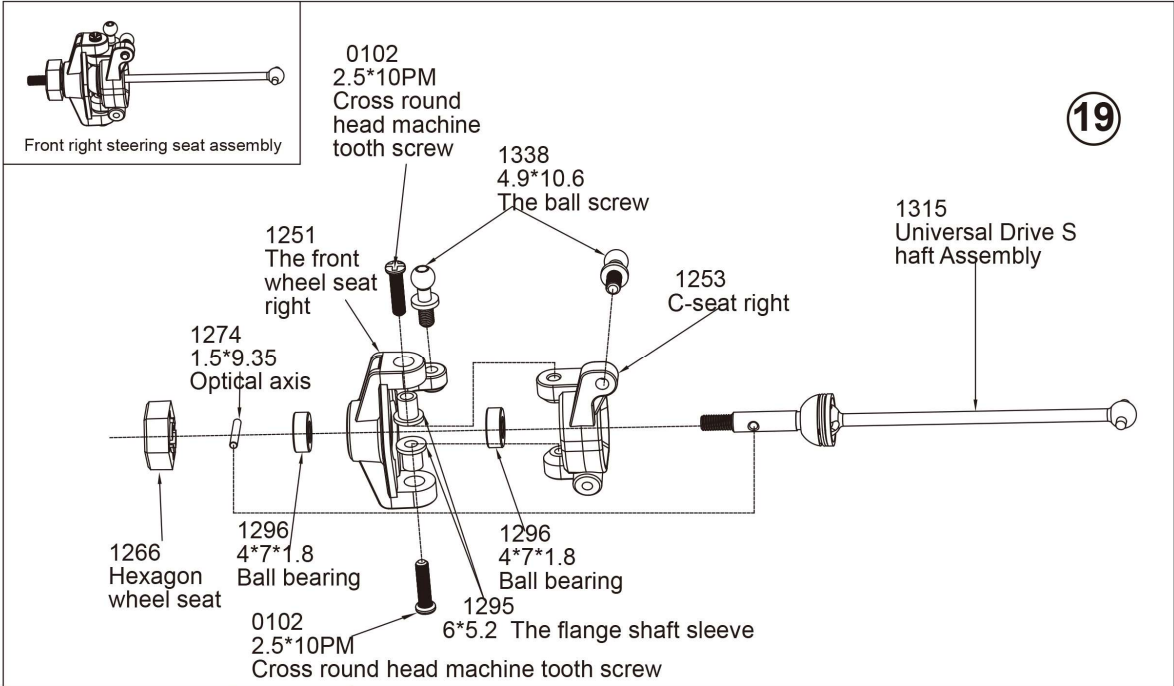


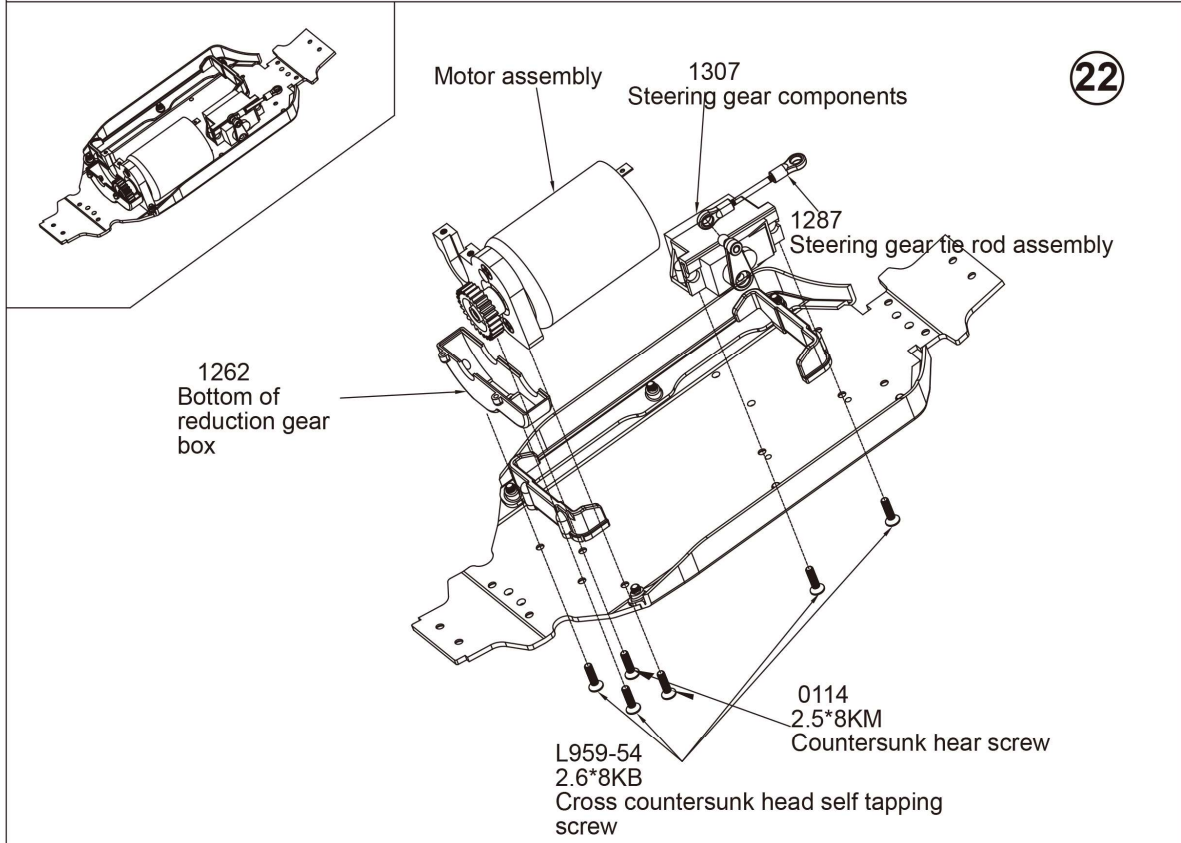
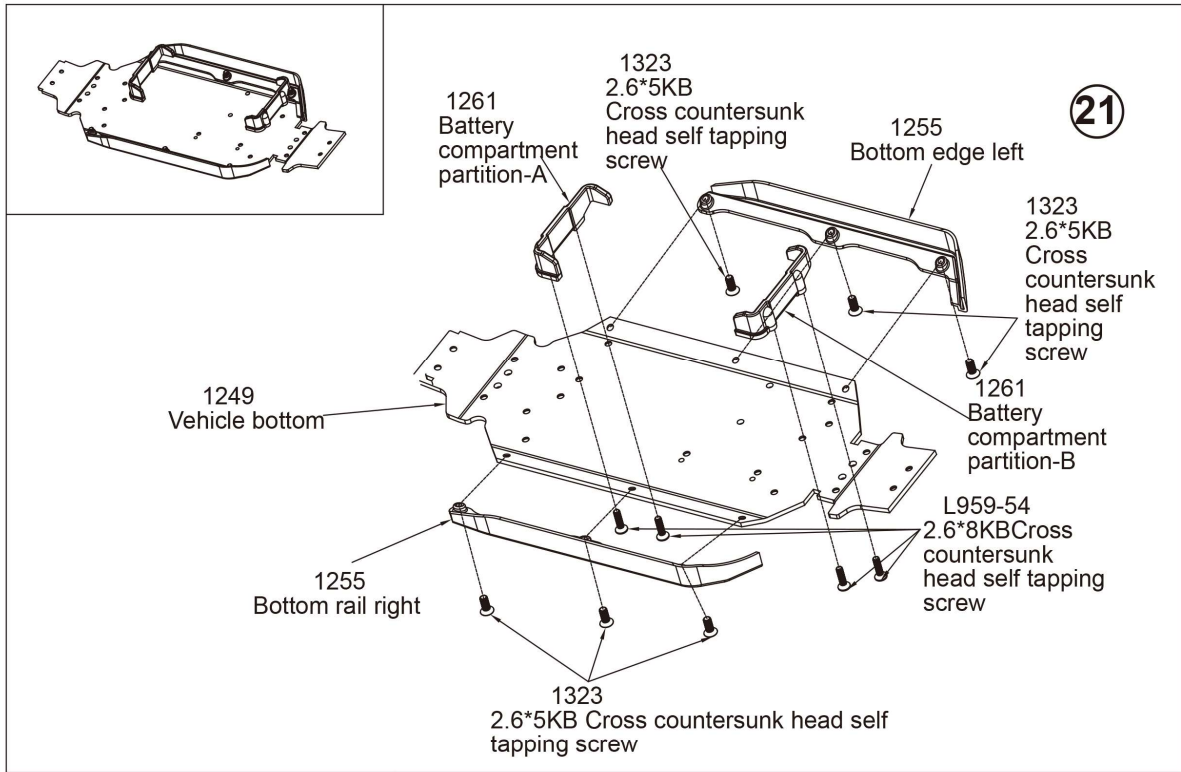
The ball head block

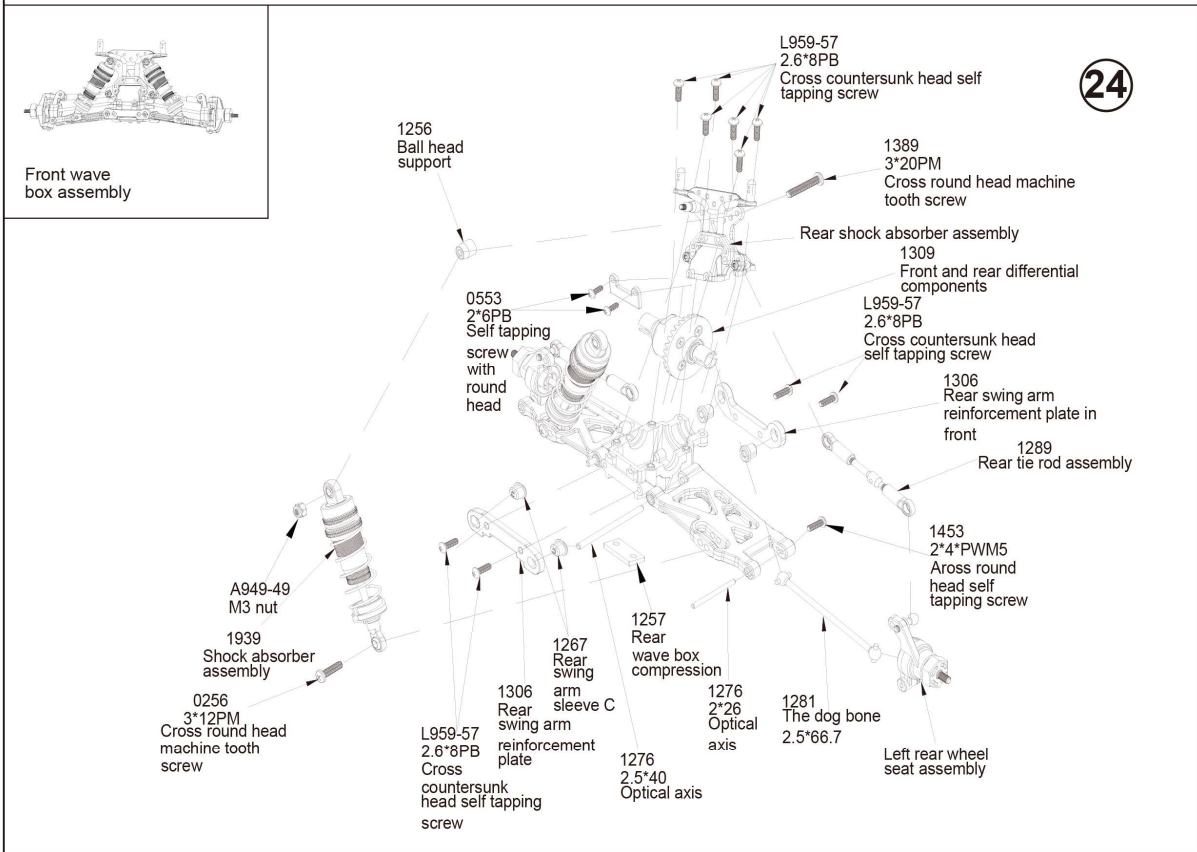
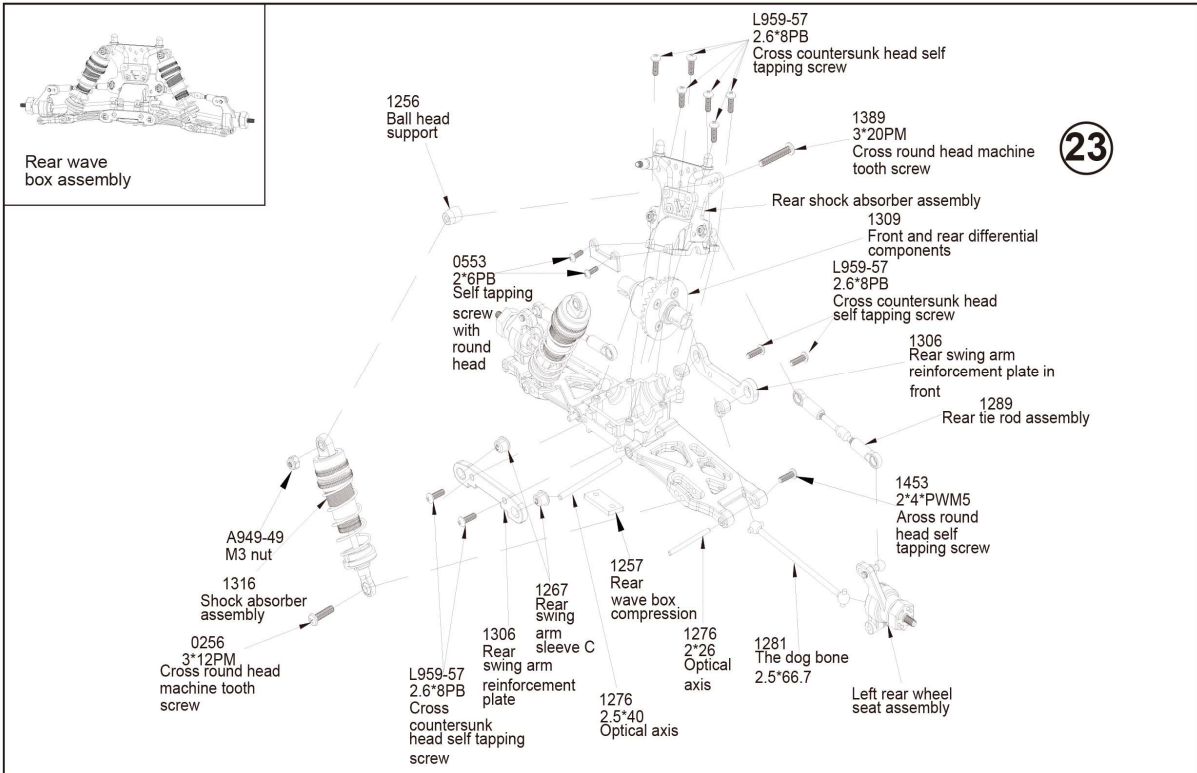
The ball head block

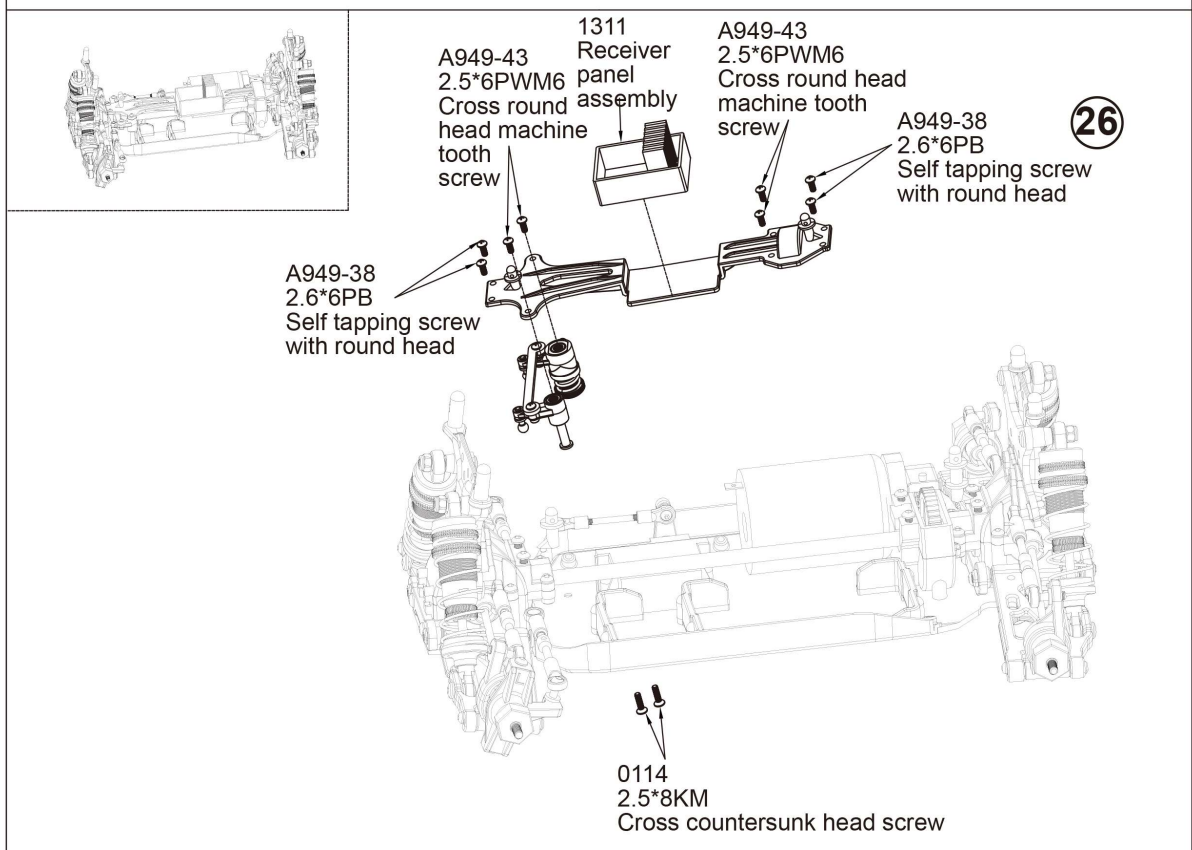
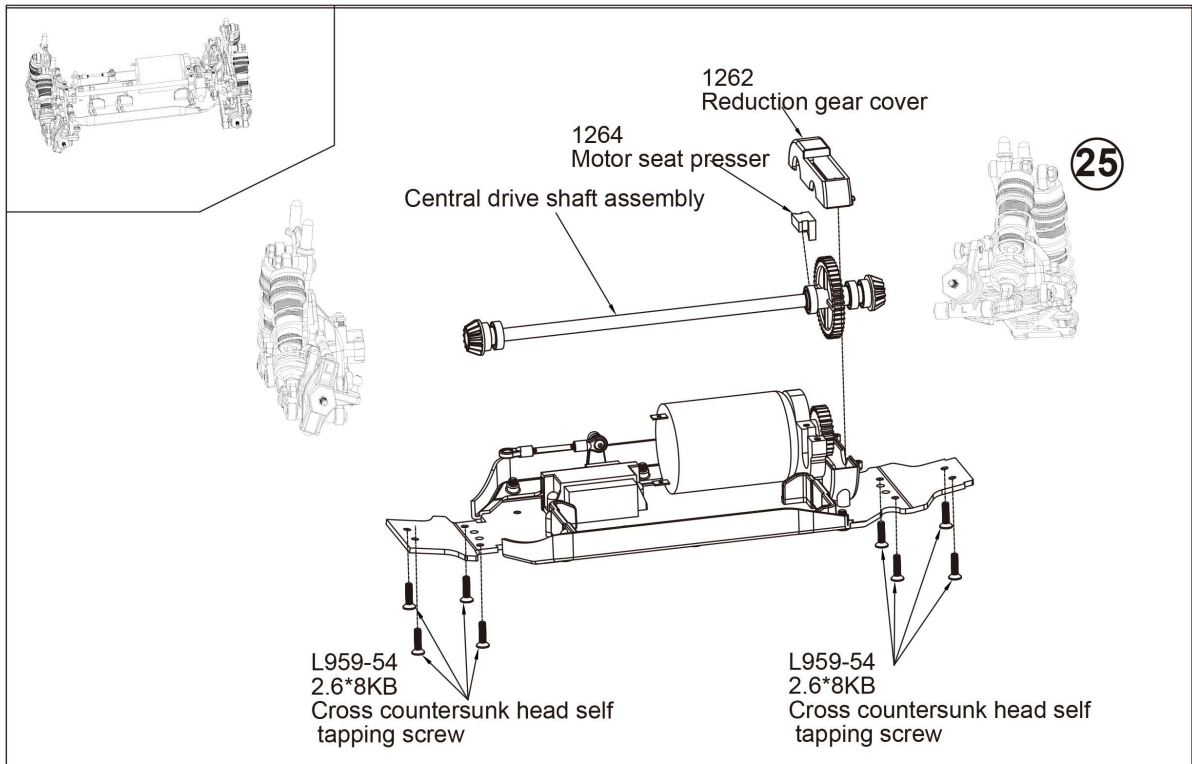
13

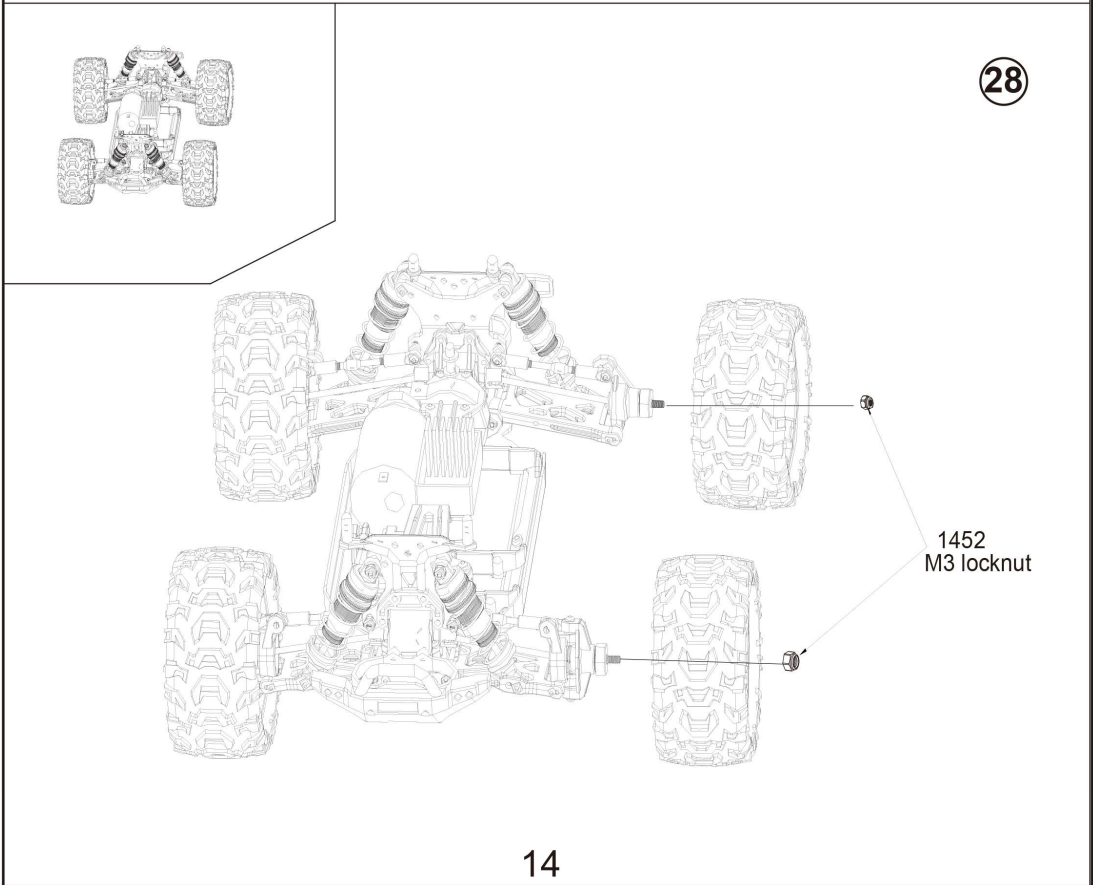
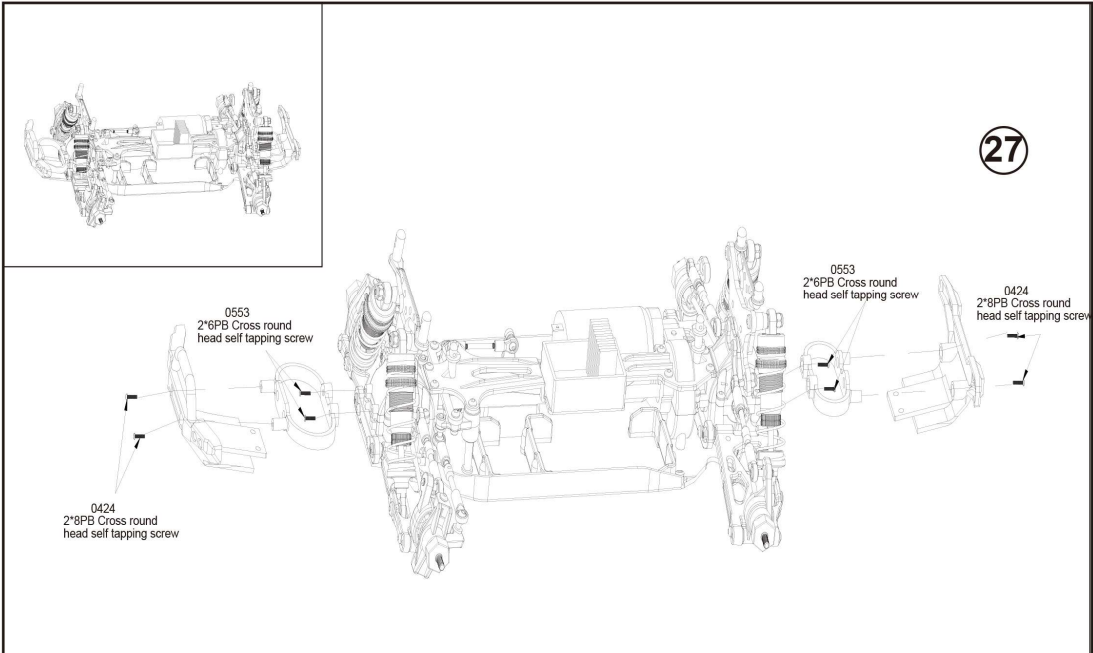


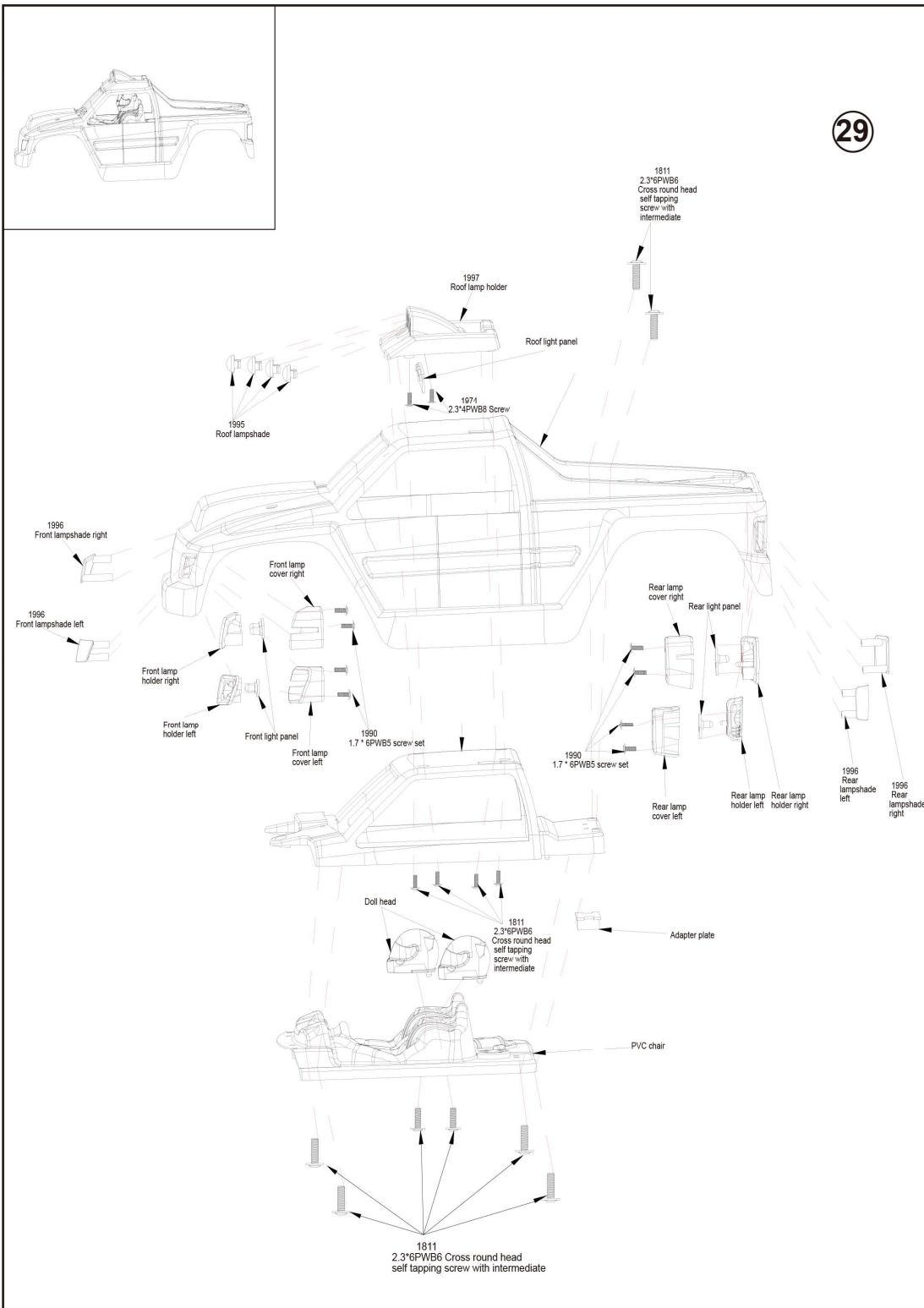


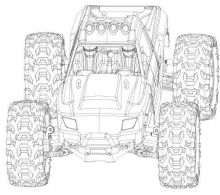








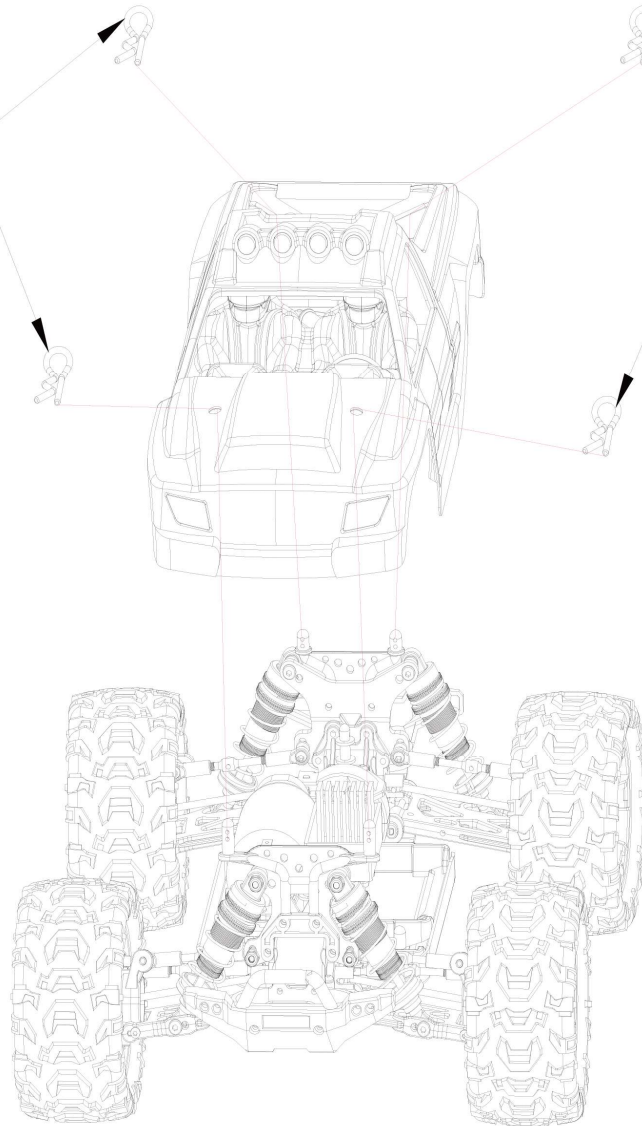




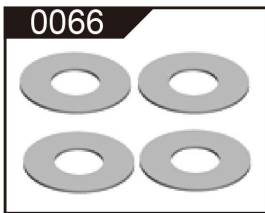
30

0441
R-pin

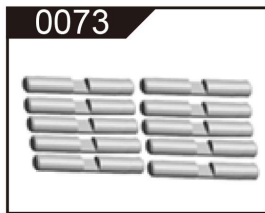
0441
R-pin



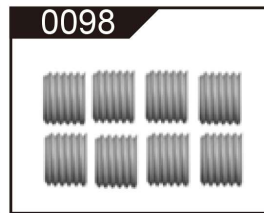
Sale parts view



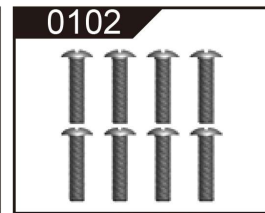
0066
12*5.2*.0.2
Stainless steel gasket



0073
Planet gear axis



0098
M3*3 Include screw



0102
2.5*10PM
Cross round head screw



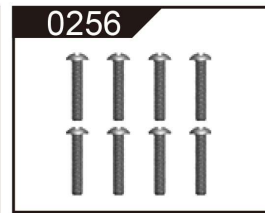
0114
2.5*8KM Cross
countersunk head screw



0117
3*8KM Cross
countersunk head screw



1374
USB Charger



0256
3*12PM
Cross round head screw



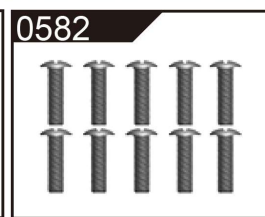
1669
V2-144001
Remote controller



0422
2*6KM Cross
countersunk head screw



0553
2*6PB
self tapping screw
with round head



0582
ST2*7PB screw
assembly



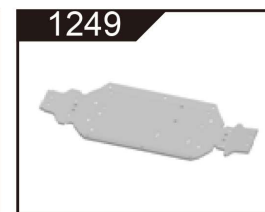
1153
30T Differential
largeTeeth(Hardware)



1154
12T ActiveTeeth
(Hardware) Grou



1155
24t differential gear
(hardware) group



1249
Chassis Plate



1250
Front and rear arms



2166
Front seat
assembly



2167
Rear seat assembly



2168
C-seat assembly

Sale parts view



1254
Wave box upper and lower cover group



1255
Left and right sides



1256
Support piece as-ball head



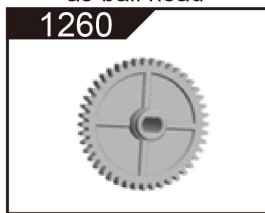
1993
Front and rear anti-collision groups



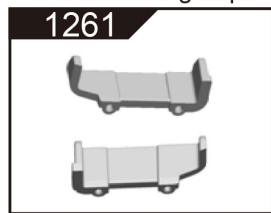
1258
Tail firmware Wing group



1259
Two floor group



1260
Gear reducer geerd



1261
Battery holder



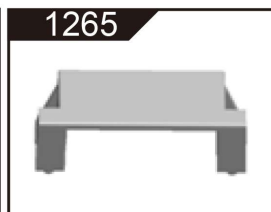
1262
Reduction gearbox



1263
Rocker arm of steering gear



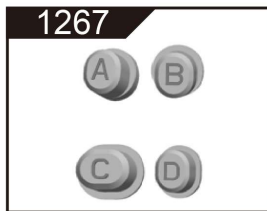
1264
Motor seat pressure piece



1265
Steering gear base



1266
hub drive hex



1267
Front and rear swing arm shaft sleeve



1268
Steering clutch group



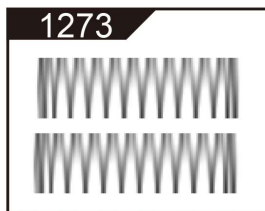
1992
The left tire group



1998
The right tire group



1271
10T Differential Astero Teeth (Hardware) Group

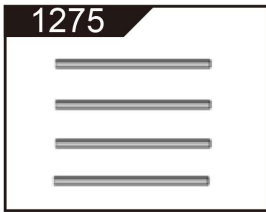


1273
Shock absorber spring

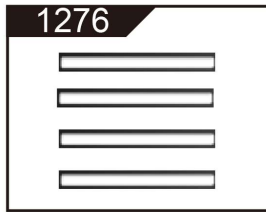


1274
1.5*9.35 universal shaft group

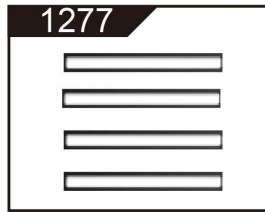
Sale parts view



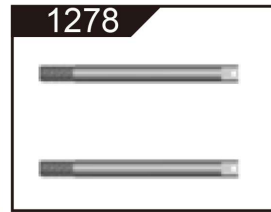
1*9
Optic axis



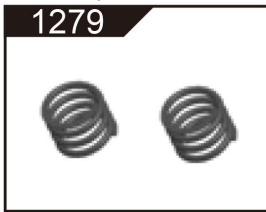
2 .5*40 Optical axis



2 * 26 Optical axis



Shock absorber
shafcomponent



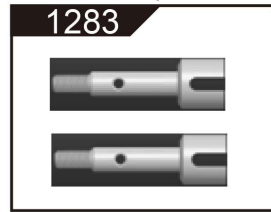
Buffer spring assembly



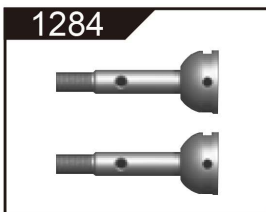
Dog bone assembly



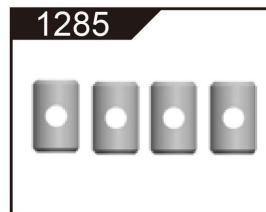
universal shaft assembly



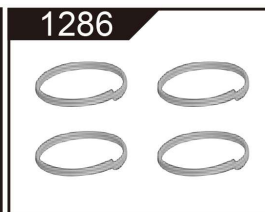
Rear Wheel
CupComponent



Front Wheel
axisComponent



Cross shaft assembly



Universal cup
springassembly



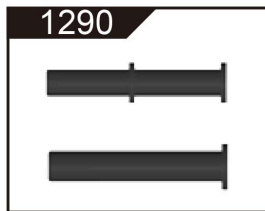
Steering gear
leverassembl



Short pull bar assembly



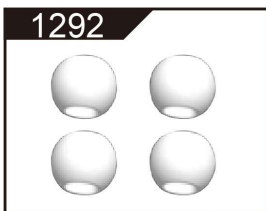
Long pull barassembly



Steering columnassem



Steering column sleeve
componen



Ball head group



Central
TransmissionAxis
Component



6*2.7
Flange axis sleeve



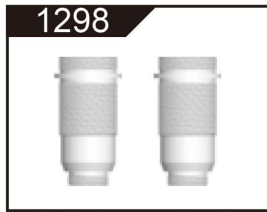
6*5.2
Flange axis sleeve

Sale parts view



1296

4*7*1.8
Ball bearing set



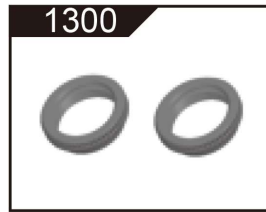
1298

Cylinder as-shock
absorber



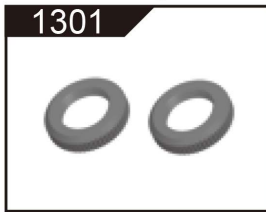
1299

Shockproof hat group



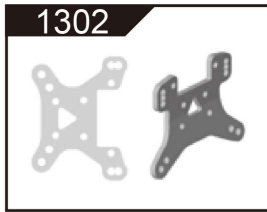
1300

Adjusting ring group



1301

Spring seat



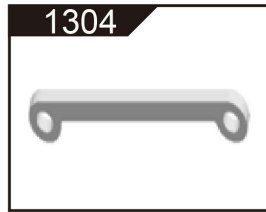
1302

Shock absorber plate group



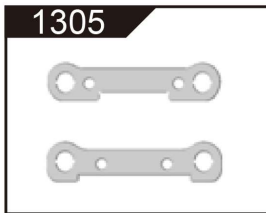
1303

Motor seat



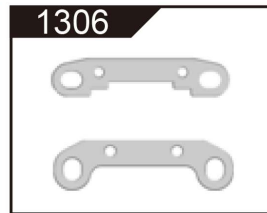
1304

Steering linkage



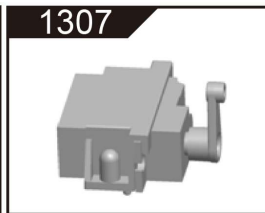
1305

Front swing arm
reinforcement



1306

Rear swing arm
reinforcement



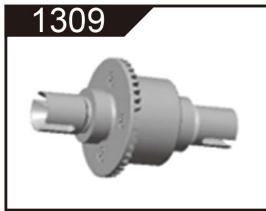
1307

Steering gear



1951

Motor



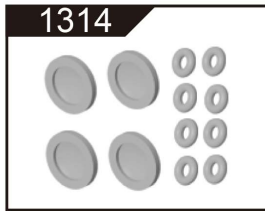
1309

Differential



1311

Receiving board
assembly



1314

O-ring as-shock



1315

Universal drive shaft



1316

Shock absorber



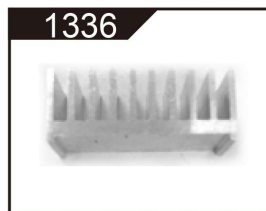
1323

2.6*5KB
Countersunk head
tapping screw



1991

Car shell
components



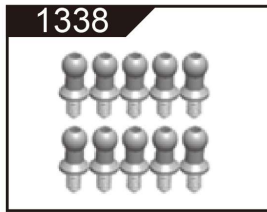
1336

Heat sink

Sale parts view



4.9*13.6
Ball head screw set



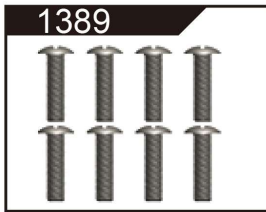
4.9*10.6
Ball head screw set



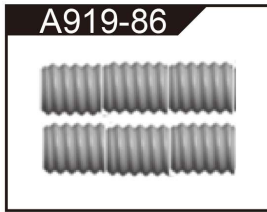
4.0*9.5
Ball head screw set



2*8KB Cross
countersunk head screw set



3*20PM Cross round head
machine tooth



Machine screw set



Velcro



7*11*3
Ball bearing



2.6*6PB Round head self
tapping screw



M2.5*6*6
Round head belt screw



M3 Nut



Motor gear



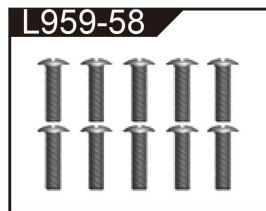
Battery



2.6*8KB
Countersunk head
tapping screw



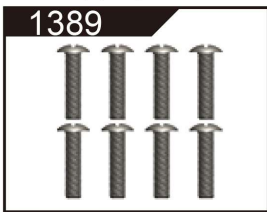
2.6*8PB
Round head self
tapping screw



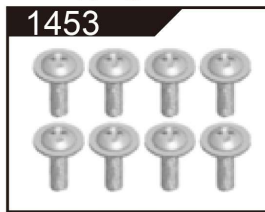
ST2.6*10 PB
screw assembly



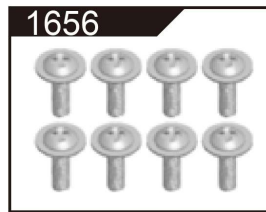
M3 flange nut



3 * 20pm Cross
round head
machine screw



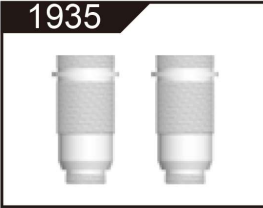
2*4PWM5
Cross round head
machine screw



2.5*8PWM6
Cross round head
machine screw

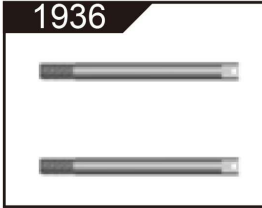
Sale parts view

1935



Front shock block group

1936



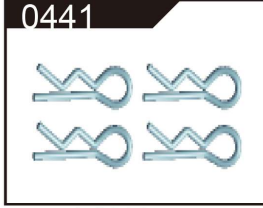
Front shock absorber axis group

1939



Front shock mount

0441



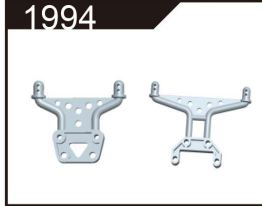
1.0*18 R Type Pin

1280



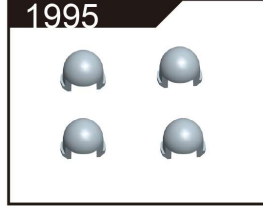
Cup as-differential

1994



Shell support group

1995



Roof lampshade group

1996



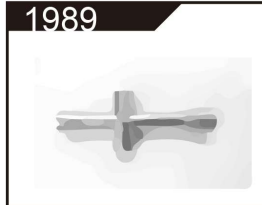
Front and rear lampshade group

1997



Roof light frame group

1989



Zinc alloy cross sleeve set

1990



1.7 * 6 PWB5 screw group

1811



2.3*6PWB6 Cross head with medium screw

0253



2.6*12PB Cross round head tapping screw

1974



2.3*4PWB8 Cross head with medium screw

1999



2.6*10KB Countersunk head tapping screw

2159



2.5 * 47.5pm D6 screw set

0118



M2.5 jam nut