

2.4GHz全比例同步遥控系统
2.4GHz full scale synchronous remote control system

产品说明书

PRODUCT MANUAL

使用前请仔细阅读说明书

Please read the manual carefully before use

车型:E

Motorcycle Type: E



注: 为符合包装规定, 压缩包装体积, 尾翼出厂前拆除。使用前请先自行安装!

Note: In order to comply with the packaging regulations and compress the volume of the package, the tail fin is removed before leaving the factory. Please install it by yourself before use!

- 在使用和组装前, 请仔细阅读说明书。
Please read the manual carefully before using and assembling.
 - 在每次使用前, 请确保已给模型车电池组充分充电。
Before each use, please make sure you have fully charged the model car battery pack.
 - 本产品不是玩具, 而是比例模型车。
This product is not a toy, it's a scale model car.
- 14岁以下儿童必须在成年人密切监督下方能操作。
Children under the age of 14 must be operated under close adult supervision.

四轮驱动

全比例

模型车

4WD

OFF-ROAD

VEHICLE

车型:F

Motorcycle Type: F



电动四驱模型车

ELECTRIC 4WD MODEL CAR

全车组装, 专业模型车配置
Fully assembled, professional model car configuration

2.4GHz全比例同步遥控系统
2.4GHz full scale synchronous remote control system

产品说明书

PRODUCT MANUAL

使用前请仔细阅读说明书
Please read the manual carefully before use

车型:A
Motorcycle Type:A



车型:B
Motorcycle Type:B



电动四驱模型车
ELECTRIC 4WD MODEL CAR

全车组装 专业模型车配置
Fully assembled, professional model car configuration

注意事项 Attentions

-  **新手在使用前应通读说明或寻求有经验的人的建议。**
Beginners should read through the instructions or seek advice from experienced people before using.
-  **对于初学者而言，初步了解模型车相关基本操作后，都迫不及待地尝试操作。我们建议操作者多加练习，选择简单的场地，首先选择低速行驶模型车，其目的是熟悉模型车转向、油门、刹车控制，直到熟练后方能尝试高速行驶，或更换复杂场地。**
For beginners, after the initial understanding of the basic operation related to model cars, they are eager to try to operate. We suggest the operator to practice more, choose a simple site, first choose a low-speed driving model car, the purpose is to be familiar with the model car steering, throttle, brake control, until skilled before you can try high-speed driving, or change the complex site.
-  **本产品不是玩具，而是比例模型车。14岁以下儿童必须在成年人密切监督下方能操作。**
This product is not a toy, it's a scale model car. Children under the age of 14 must be operated under close adult supervision.
-  **本产品包含细小且锋利的零件，请存放在儿童接触不到的地方。**
This product contains small and sharp parts, so please store it out of the reach of children.
-  **请勿反接电池或拆解电池。这是危险的，并可能引起火灾。**
Do not reverse the battery connection or disassemble the battery. It is dangerous and may cause a fire.
-  **严禁在公共场所或拥挤的地方操作模型车，因为这可能会导致事故。**
It is strictly forbidden to operate the model car in public places or crowded places as this may lead to accidents.
-  **当不使用模型车时，请先断开跟电池的连接后从车身移出。此外遥控器关闭电源后，应取出电池以避免漏液。**
When the model car is not in use, please disconnect the battery first and then remove it from the body. In addition, after the remote control is turned off, the battery should be removed to avoid liquid leakage.
-  **请勿将模型存放在高温、潮湿及阳光直射的地方。**
Please do not store the model in high temperature, humid and direct sunlight places.
-  **请定期检查电池充电器和其他电池组件是否损坏。如果任何部分损坏，请勿使用。**
Please check the battery charger and other battery components regularly for damage. If any part is damaged, do not use it.
-  **可拆卸的小部件应安全存放，避免儿童接触。**
Removable small parts should be stored safely and kept away from children.
-  **如果遇到干扰，请关闭模型，在其它区域再试一次。**
If interference is encountered, please turn off the model and try again in another area.
-  **如果电池电量过低，遥控器无法正常工作。请更换电池。**
If the battery power is too low, the remote control cannot work properly. Please replace the battery.
-  **请根据当地有关规定，妥善弃置或回收旧电池。**
Please dispose of or recycle the old batteries properly according to the local regulations.
-  **请将产品存放于阴凉干燥处。不要暴露在高温和潮湿的环境中。如果电池沾湿了，请立即用软干布擦拭。如果电池变形，请不要使用。电池应在成人监督下充电。电池耗尽后，应将其从模型车或遥控器中取出。请不要使任何端子短路。请不要尝试给任何非充电电池充电。充电时，请从模型中取出电池。**
Please store the product in a cool and dry place. Do not expose to high temperature and humidity. If the battery gets wet, please wipe it with a soft dry cloth immediately. If the battery is deformed, please do not use it. Batteries should be charged under adult supervision. When the battery is exhausted, it should be removed from the model car or remote control. Please do not short-circuit any terminals. Please do not try to charge any non-rechargeable batteries. When charging, please remove the battery from the model.
-  **请勿将电池投入火中或水中。**
Do not put the battery into fire or water.
-  **使用充电器前，请检查您的家庭电压。如果与充电器不匹配，请使用插头适配器。电池或充电器在充电时会发热是很正常现象。**
Before using the charger, please check your household voltage. If it does not match the charger, please use a plug adapter. It is normal for the battery or charger to get hot when charging.

安装遥控器电池 Installing remote control batteries



如图所示，滑开电池盖，安装电池。
Slide open the battery cover and install the battery as shown in the picture.



遥控器需要使用3节1.5V AA电池。
(用户需自购)
The remote control needs to use 3 x 1.5V AA batteries. (Users need to purchase their own)

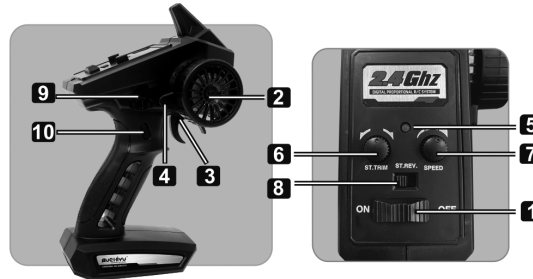
请勿混用新旧或不同类型的电池。
Please do not mix old and new or different types of batteries.

请及时更换耗尽的电池，请勿使用漏液电池。
Please replace the depleted batteries in time and do not use leaking batteries.

定期检查遥控器上的电池电量。
Check the battery level on the remote control regularly.

若电池电量不足，发射和接收效果将不理想。
在这种情况下，车子可能会失控，这将会导致发生事故。
If the battery power is low, the transmitting and receiving effect will not be satisfactory. In such a case, the car may lose control and this will lead to an accident.

遥控器功能介绍 Remote control function introduction



- 1) 遥控电源开关: 打开或关闭遥控电源。
1) Remote control power switch: Turn on or off the remote control power.
- 2) 转向轮: 当左转转向轮时, 模型车左转。当右转转向轮时, 模型车右转。
2) Steering wheel: When turn the steering wheel left, the model car turns left. When turn the steering wheel right, the model car will turn right.
- 3) 油门扳机: 用手指向后扣动遥控器扳机, 模型车将向前行驶; 用手指向前推动扳机一次为刹车, 松手待扳机回归中位后再向前推动, 模型车将后退行驶。
3) Throttle Trigger: Pull the trigger of the remote control backward with your finger, the model car will drive forward; push the trigger forward with your finger once for braking, let go and push forward again after the trigger returns to the middle position, the model car will drive backward.
- 4) 转向控制辅助柄: 单手控制油门和转向。食指扣油门, 拇指通过辅助柄来微调操控转向轮(方向盘)
(注: 熟手个人偏好, 仅提供辅助作用, 新手请慎用。)
4) Steering control auxiliary handle: One-handed control of throttle and steering. The index finger is used to hold the throttle, and the thumb is used to fine-tune the steering wheel (steering wheel) through the auxiliary handle.
(Note: skilled hands personal preference, only to provide auxiliary role, novice please use caution.)
- 5) 电源指示灯: 对码时, 指示灯先快闪, 几秒钟后变为常亮, 提示对码成功。当指示灯频率式慢闪, 提示电量不足, 请及时更换电池。
5) Power indicator: When the code, the indicator light first flashing fast, a few seconds later become constant light, prompting the success of the. When the indicator frequency type slow flashing, indicating that the power is insufficient, please replace the battery in a timely manner.
- 6) 转向微调旋钮: 当车辆无法正常直线行驶时, 使用该旋钮进行微调。
6) Steering fine-tuning knob: When the vehicle can't drive normally in a straight line, use this knob to make fine adjustment.
- 7) 油门扳机限速旋钮: 设定遥控扳机油门控制量, 调整模型车行车速度。
7) Throttle Trigger Speed Limit Knob: Set the amount of remote trigger throttle control to adjust the model car driving speed.
- 8) 转向逆向制式开关: 对左右转向的正 / 反向切换
8) Steering reverse switch: Forward/reverse switching of left and right steering.
- 9/10) 该开关 对本模型车无功能
9/10) This switch has no function for this model car.

操作模型车 Operate the model car

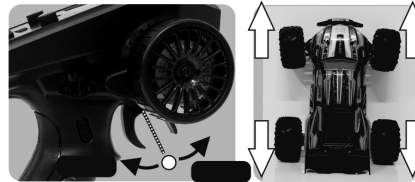
1 打开遥控器电源开关和模型车电源开关 Turn on the power switch of the remote control and the power switch of the model car



先打开遥控器电源开关, 遥控器指示灯闪烁, 提示正搜索需要对码的模型车, 接着长按2-3秒模型车电源开关, 此时遥控器指示灯转为常亮, 提示对码成功。

Turn on the power switch of the remote control first, the indicator light of the remote control flashes, indicating that the model car is searching for the code, then press and hold the power switch of the model car for 2-3 seconds, then the indicator light of the remote control turns to normal light, indicating that the code is successful.

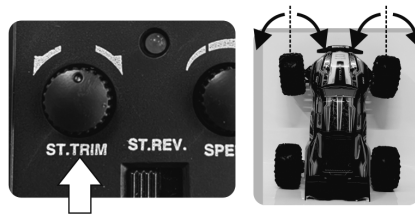
2 检查油门操作 Check the throttle operation



用手指向后扣动遥控器扳机，模型车将向前行驶；
用手指向前推动扳机一次为刹车，松手待扳机回
归中位后再向前推动则为后退行驶。

Use your finger to pull the trigger of the remote control backward,
the model car will drive forward; use your finger to push the trigger
forward once for braking, let go and push forward again after the
trigger returns to the middle position for backward driving.

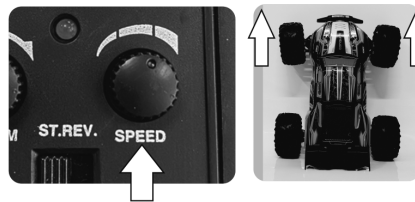
3 转向微调旋钮 Steering fine-tuning knob



在没有操控转向轮的情况下，模型车前轮未处于
中心位置时：若前轮偏向左侧，请顺时针转动转向
微调旋钮进行微调；若前轮偏向右侧，请逆时针转
动转向微调旋钮进行微调。

When the front wheels are not in the center position without
steering wheels: If the front wheels are to the left, turn the
steering knob clockwise for fine adjustment; if the front wheels
are to the right, turn the steering knob counterclockwise for fine
adjustment.

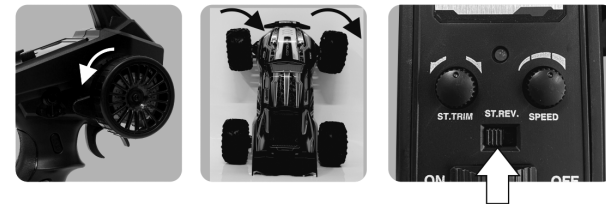
4 油门扳机限速旋钮 Throttle Trigger Speed Limit Knob



设定遥控器油门控制量：逆时针旋转是降低扳机
油门控制量（最小值为正常油门控制量40%左右，
这时扳机扣到底，最高时速是正常值的40%左右），
顺时针旋转是增加扳机油门控制量（最高值为100%
正常油门控制量，这时扳机扣到最大，最高时速是
100%正常值）。

Set the remote trigger throttle control amount: counterclockwise
rotation is to reduce the trigger throttle control amount (the minimum
value is about 40% of the normal throttle control amount, when the
trigger is buttoned to the bottom, the maximum speed is about 40%
of the normal value), clockwise rotation is to increase the trigger
throttle control amount (the maximum value is 100% of the normal
throttle control amount, when the trigger is buttoned to the maximum,
the maximum speed is 100% of the normal value).

5 转向逆反向制式开关 Steering reverse system switch



如果遥控转向轮的操作与模型车转向方向不一致。（如当左转转向轮时，模型车却右转。）
请调整转向逆反向制式开关，直至操作和模型车行驶一致。

If the operation of the remote steering wheel is not consistent with the direction of the model car steering. (For example, when the
steering wheel is turned left, the model car is turned right.)
Please adjust the steering reverse switch until the operation and the model car driving in the same direction.

结束操作模型车 End the operation of the model car

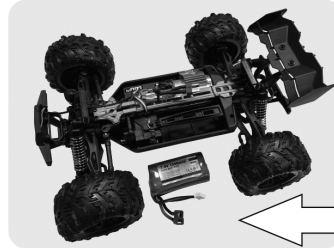
1 关闭模型车电源开关和遥控器电源开关 Turn off the powers switch of the model car and the power switch of the remote control



长按2-3秒模型车电源开关，关闭模型车电源，模型车电源指示灯熄灭。接着关闭模型车开关。

Press and hold the power switch of the model car for 2-3 seconds to turn off the power of the model car, and the power indicator of the model car will be off. Then turn off the model car switch.

2 检查和清理 Check and clean up



检查模型车是否有零件损坏和松动，请及时修理或更换。用软刷和软布清理车身污垢后，将其存放于阴凉处，远离高温热源，远离儿童触手可及之处。

Check whether the model car has damaged and loose parts, please repair or replace them in time. After cleaning the body dirt with soft brush and soft cloth, store it in a cool place, away from high temperature and heat source, and away from the reach of children.

请将电池从模型车上取出，存放于阴凉处。
Please take the battery out of the model car and store it in a cool place.

模型车的维护 Maintenance of the model car

- 1.若长时间不使用，请将模型车和遥控内电池取出。
1.If you do not use it for a long time, please take out the batteries inside the model car and remote control.
- 2.每次使用前，确保电池是充满电的状态。
2.Before each use, make sure the battery is fully charged.
- 3.每次使用前或使用后，仔细检查模型车电路接线是否紧固，没有脱落的接头。仔细检查车轮是否紧固，松垮的车轮会造成传动轴，车轮杯或轮座等部件的过度磨损。
3.Before or after each use, check carefully if the circuit wiring of the model car is tight and there are no disconnected joints. Check the wheels carefully to make sure they are tight. Loose wheels can cause excessive wear on the drive shaft, wheel cups or wheel seats and other parts.
- 4.检查传动齿轮是否需要上润滑油。
4.Check if the drive gear needs to be lubricated.
- 5.闲置的电池需要充电后（充至50-60%电量）保存于干燥，阴凉处，避免儿童触及。
5.Idle batteries need to be charged (charged to 50-60% power) and stored in a dry, cool place, away from children's reach.
- 6.每次使用后，请仔细检查模型车各部件是否完整，及时维修或更换。用细毛刷清扫模型车内的沙土，泥灰等污垢，然后用软布擦拭干净。
6.After each use, please check carefully whether the parts of the model car are complete and repair or replace them in time. Use a fine brush to clean the sand, dirt and other dirt inside the model car, and then wipe it with a soft cloth.

模型车电池充电 Model car battery charging



如图所示, 取下电池。
Remove the battery as shown in the picture.

连接USB充电线, 将USB线插入USB充电设备口, 进行充电。
Connect the USB charging cable and plug the USB cable into the USB charging device port for charging.

充电时间约为3.5小时。
Charging time is approximately 3.5 hours.

USB指示灯说明:
USB indicator light Description.

- 1) 当待机时(USB插上电源, 没接上电池时), 红灯(电源灯)常亮, 绿灯(充电指示灯)快闪几秒后熄灭。
1) When standby (when USB is plugged in and no battery is connected), the red light (power light) is always on, and the green light (charging light) flashes fast for a few seconds and then goes out.
- 2) 电池充电时, 红灯(电源灯)常亮, 绿灯(充电指示灯)频率式慢闪, 提示电池正在正常充电。
2) When the battery is charging, the red light (power light) is always on, and the green light (charging indicator) flashes slowly and frequently, indicating that the battery is charging normally.
- 3) 电池充满电后, 红灯(电源灯)熄灭, 绿灯停止闪烁, 变为常亮状态。
3) When the battery is fully charged, the red light (power light) turns off and the green light stops flashing and turns to a constant light.



可通过连接手机充电配置插头(标准5V, 2A), 完成充电操作, 以便缩短充电时间。

The charging operation can be completed by connecting the phone charging configuration plug (standard 5V, 2A) in order to shorten the charging time.

温馨提示
Warm reminder



警告

WARNING!

- 切勿使用非原厂版充电电池, 以免模型车性能受损。充电时切勿无人看管。
Do not use non-factory version of rechargeable batteries to avoid damage to the model car performance. Do not leave unattended while charging.
- 儿童在成人指导和监护下方能进行充电操作。切勿使用漏液或包装破损的电池。
Children should be able to charge under adult guidance and supervision. Do not use batteries that are leaking or in damaged packaging.

注: 每次使用前, 请先将电池充满电量。当模型车速度明显下降时, 建议立刻对模型车电池充电, 以免电池过放而损伤电池。若电池长时间闲置, 需定期1-2周左右充电。

Note: Please fully charge the battery before each use. When the speed of the model car decreases significantly, it is recommended to charge the battery of the model car immediately to avoid over discharging and damaging the battery. If the battery is idle for a long time, it needs to be charged regularly for about 1-2 weeks.

模型车常见问题及故障处理 Model car common problems and troubleshooting

产品 product	故障现象 Failure phenomenon	故障分析 Analysis of faults	故障排除 Troubleshooting
遥控器 Remote control	1. 电源指示灯不亮 1. Power indicator light is not on	电池没电或电池安装错误 The battery is not charged or the battery is installed incorrectly	更换新的电池或者检查电池正负极 Replace the battery with a new one or check the positive and negative battery poles
	2. 电源指示灯频率式慢闪 2. Power indicator frequency slow flashing	电池电量不足 Battery power is not enough	更换新的电池 Replace the battery with a new one
	3. 指示灯正常亮起但无法操控模型车或操作延时 3. The indicator light is on normally but the model car cannot be operated or the operation is delayed	a) 周围可能有其它正在运行的电子产品导致的遥控频率干扰 b) 附近可能有高压线或者其它大功率发射器 a) There may be other running electronic products around the remote control frequency interference b) There may be high-voltage lines or other high-power transmitters nearby	重启模型车和遥控器更换场地使用 Restart the model car and replace the remote control with another site
	4. 模型车在没有使用遥控的情况下自行运转 4. The model car runs on its own without using the remote control	电位器偏离中位 Potentiometer deviates from the neutral position	重启模型车和遥控器 Restart the model car and remote control
模型车 Model car	1. 接通电源后指示灯不亮 1. The indicator light does not light up after the power is turned on	电池没电或电池安装错误或电路接线损坏 The battery is dead or the battery is installed incorrectly or the circuit wiring is broken	更换为已充电的电池，检查电池和线路是否损坏 Replace the battery with a charged one, check if the battery and wiring are damaged
	2. 转向异常或失灵 2. Abnormal steering or malfunction	检查是否有杂物阻塞转向结构，或转向部件或舵机已损坏 Check for debris blocking the steering structure, or damaged steering components or servo	检查所有部件，更换任何损坏的或磨损的部件 Check all parts and replace any damaged or worn parts
	3. 能转向，但无法前进或后退。 3. Can steer, but cannot go forward or backward.	1) 电池电力不足 1) Insufficient battery power 2) 传动部件损坏或被杂物阻塞 2) Transmission parts are damaged or blocked by debris 3) 电调功能异常 3) ESC function is abnormal	更换为已充电的电池 Replace with a charged battery 清理与更换部件 Clean and replace parts 更换电调 Replace ESC
	4. 模型车行驶时噪音大 4. The model car is noisy when driving	检查是否有杂物阻塞传动部件，或传动部件损坏或脱落，和检查电机齿和大齿轮啮合度。检查并分析差速器和齿轮是否已出现扫齿、崩牙等现象 Check whether there are debris blocking transmission parts, or transmission parts are damaged or fallen off, and check the motor teeth and big gear meshing, check and analyze whether the differential and big gear have appeared sweeping teeth, chipped teeth and other phenomena	清理杂物，检查传动部件是否完整无损，确保电机齿和大齿轮啮合度合理，不会松滑现象。及时更换掉已损坏的齿轮 Clean up the debris, check whether the transmission parts are intact, and ensure that the motor teeth and large gear mesh reasonably and do not slip loosely. Replace the damaged gear in time

注：本产品说明书内容仅供参考。制造商有权对产品进行更改或调整，恕不再另行通知，具体请以实际销售为准。
Note: The content of this product manual is for reference only. The manufacturer has the right to make changes or adjustments to the product without further notice, please refer to the actual sales.

车型:A
Motorcycle Type: A



车型:B
Motorcycle Type: B



车型:C
Motorcycle Type: C



车型:D
Motorcycle Type: D



车型:E
Motorcycle Type: E



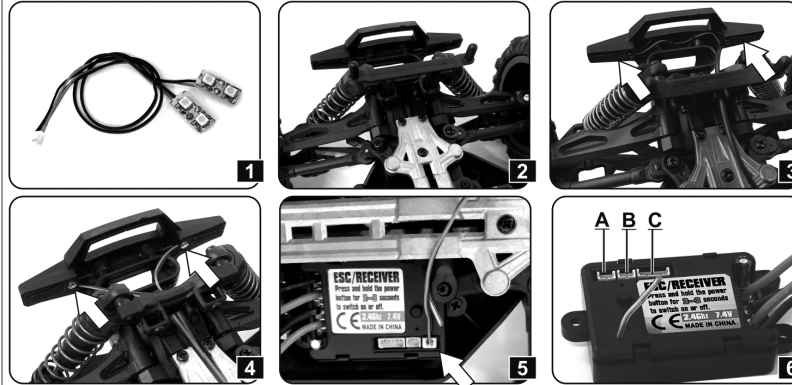
车型:F
Motorcycle Type: F



注：为符合包装规定，压缩包装体积，尾翼出厂前拆除。使用前请先自行安装！
Note: In order to comply with the packaging regulations, compressed packaging volume, the tailgate factory removed. Please install it yourself before use!

安装模型车车灯 Installation of model car lights

注：前车灯（配件号：6054）只是安装在车型 A 和 B 上。用户可选择自行安装。
Note: The front lights (part number: 6054) are only installed on the car models A and B.
Users can choose to install them by themselves.



如图所示，分别松开两颗螺丝，取下两片前灯板盖。插入前车灯，装回两片前灯板盖，分别锁紧两颗螺丝将其固定。注意前车灯线走线美观。将前灯板插头插入一体式有刷电调上的灯座插口内。

As shown in the picture, loosen the two screws respectively and remove the two pieces of headlight panel cover. Insert the headlight, put back the two headlight plate covers, and lock the two screws separately to fix them. Pay attention to the beautiful alignment of the headlight wires. Plug the headlight panel into the socket of the lamp holder on the one-piece brush ESC.

一体式有刷电调上灯座插口介绍：

插口A：灯座插口
插口B：灯座插口
插口C：舵机接头插口

Introduction of the lampholder socket on the integrated brush ESC:

Socket A: Lampholder socket
Socket B: Lampholder socket
Socket C: Servo connector socket



注：图示灯组仅安装在车型 C 上。
Notes: The lamp cluster shown is only installed on the car model C.

如图所示，将灯板组分别插头插入一体式有刷电调上的灯座插口内。
Plug the light panel set separately into the lampholder socket on the one-piece brushed ESC as shown in the diagram.

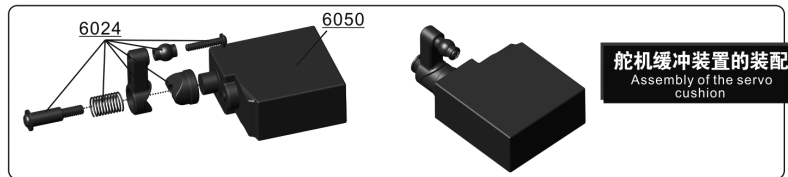
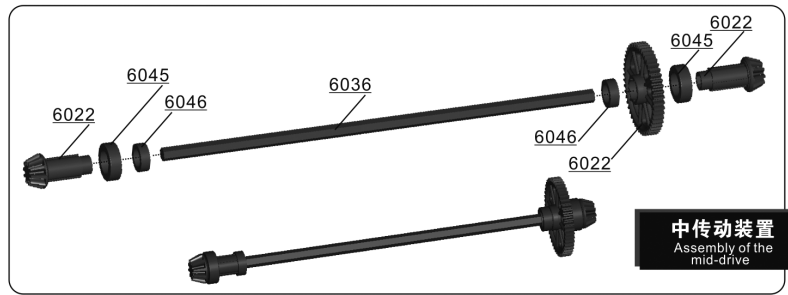
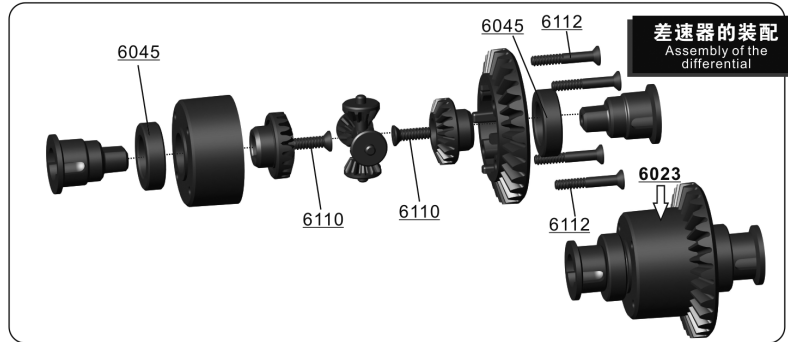
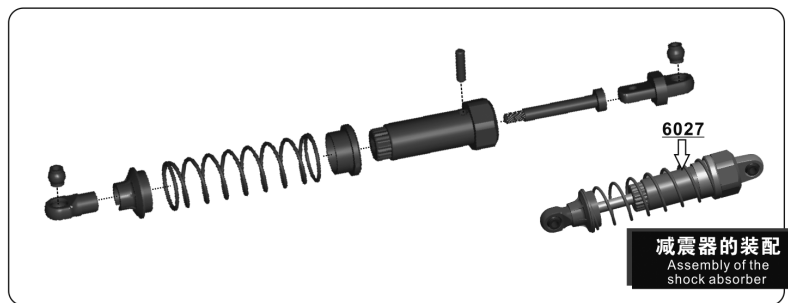
一体式有刷电调上灯座插口介绍：

插口A：灯座插口
插口B：灯座插口
插口C：舵机接头插口

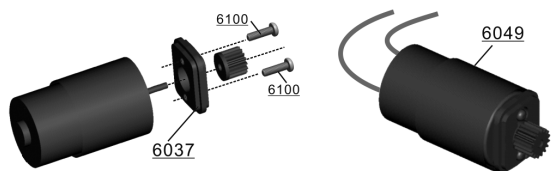
Introduction of the lampholder socket on the integrated brush ESC:

Socket A: Lampholder socket
Socket B: Lampholder socket
Socket C: Servo connector socket

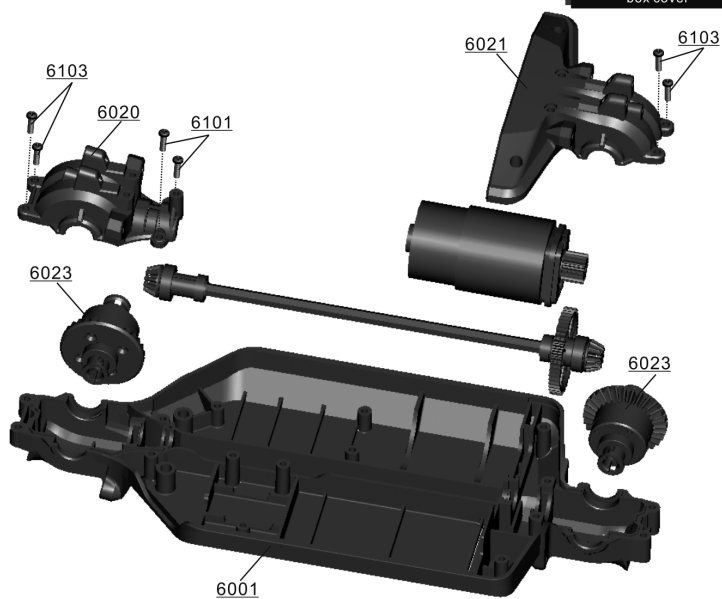
组装图(1) Assembly Diagram (1)



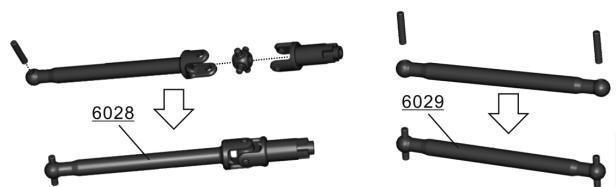
组装图(2) Assembly diagram(2)



马达的装配
Assembly of motor

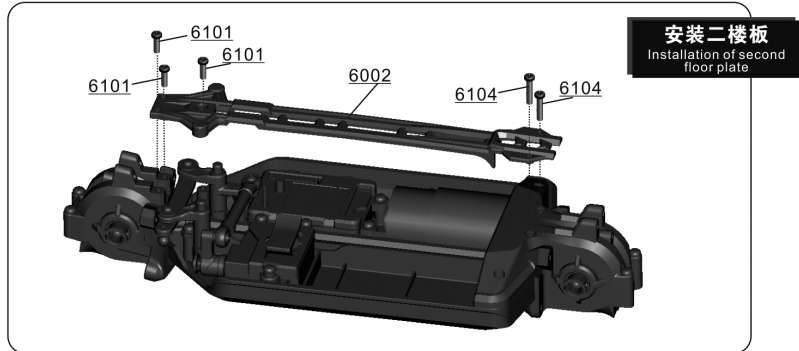
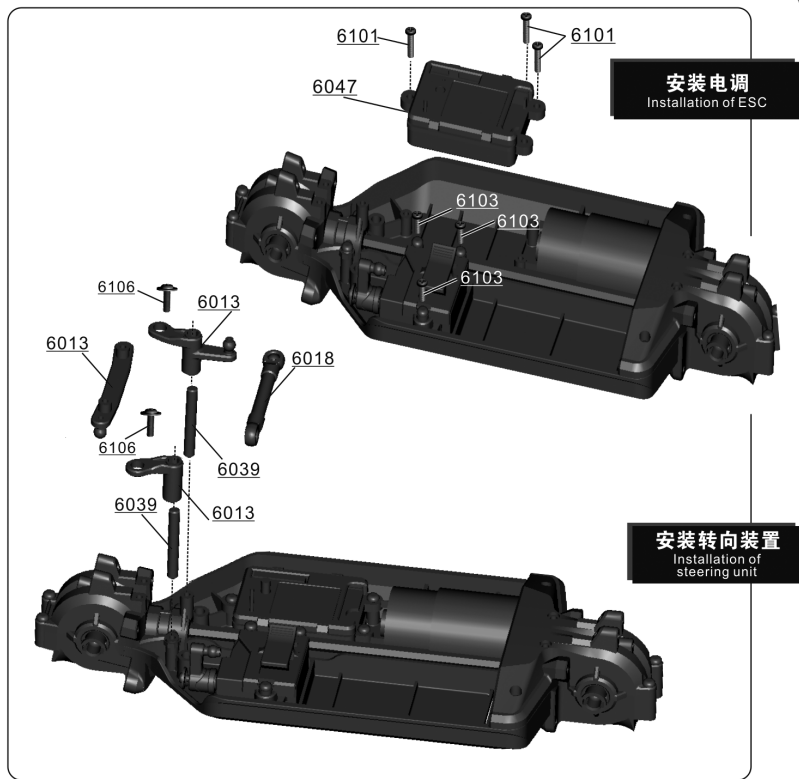


波箱盖的装配
Assembly of wave
box cover

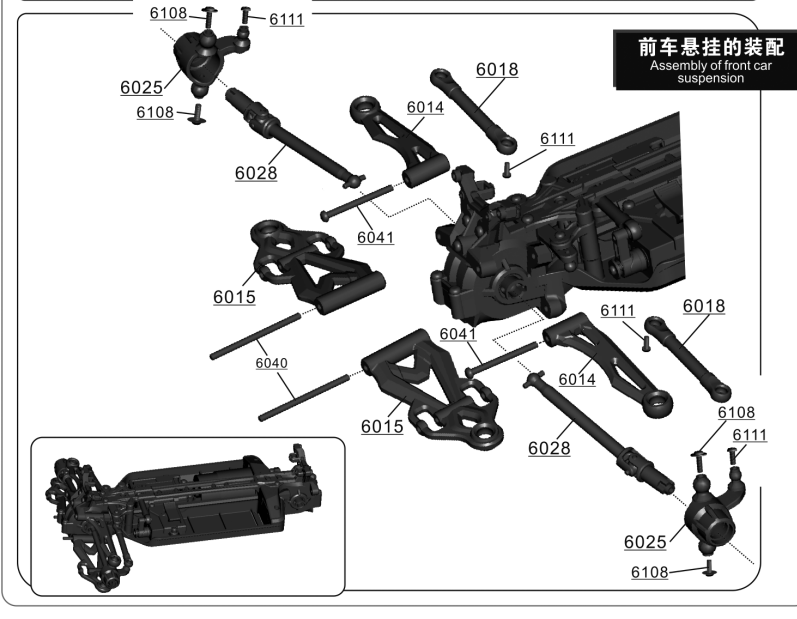
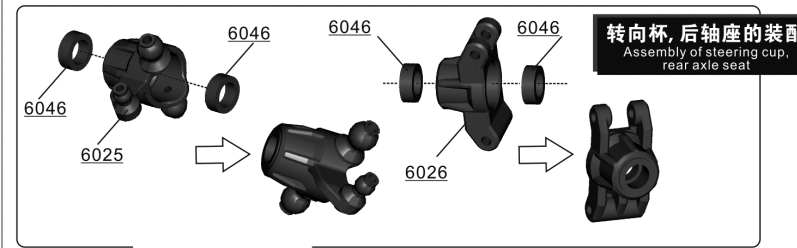
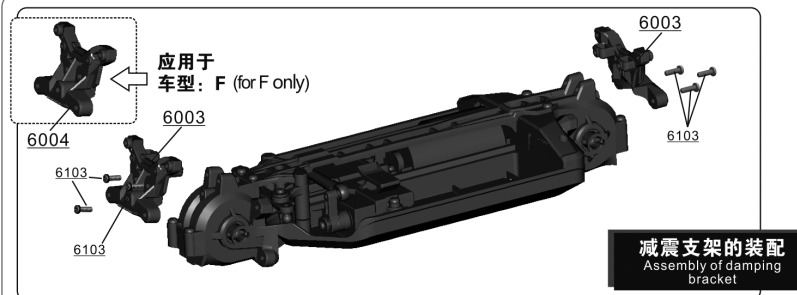


传动轴的装配
Assembly of drive shaft

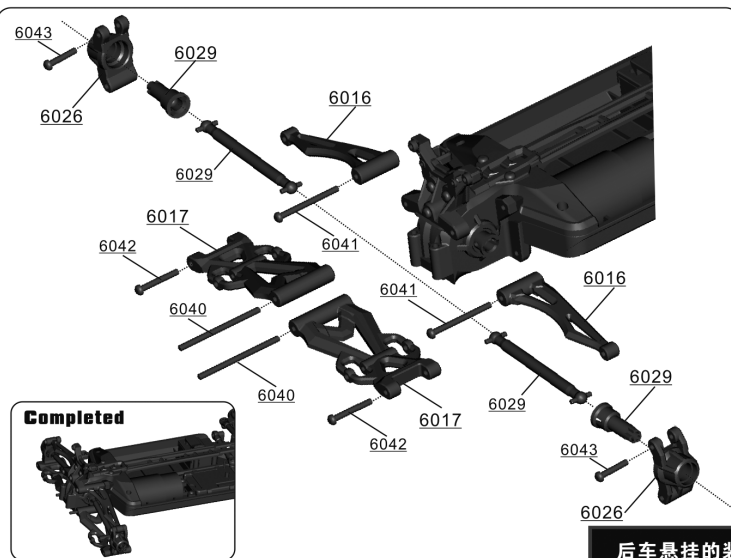
组装图(3) Assembly diagram(3)



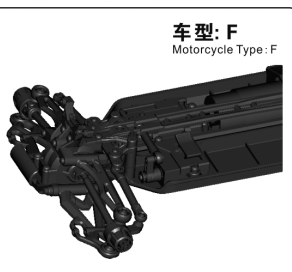
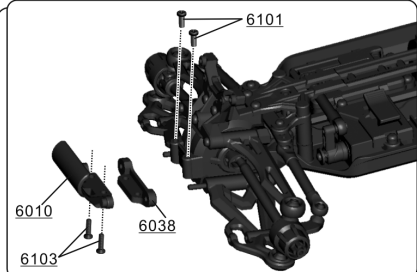
组装图(4) Assembly diagram(4)



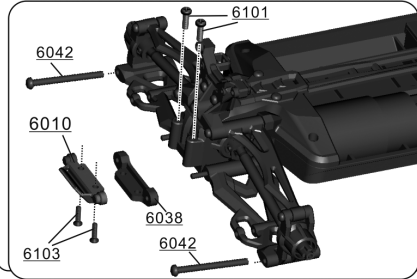
组装图(5) Assembly diagram(5)



后车悬挂的装配
Assembly of rear suspension

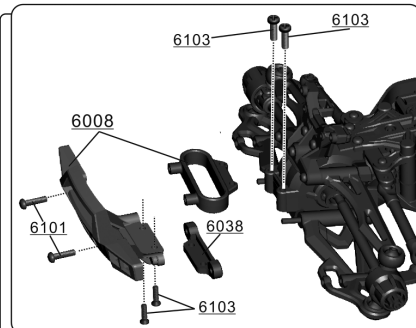


车型: F
Motorcycle Type: F

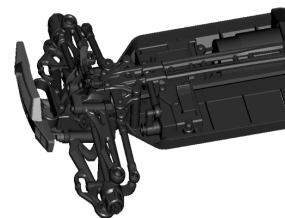


安装前、后保险杠
Installation of front and rear bumpers

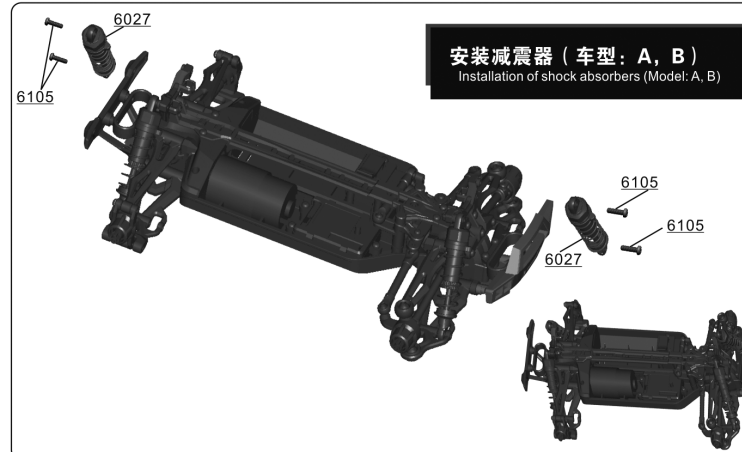
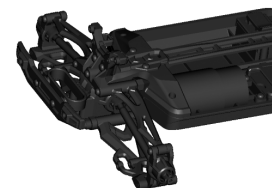
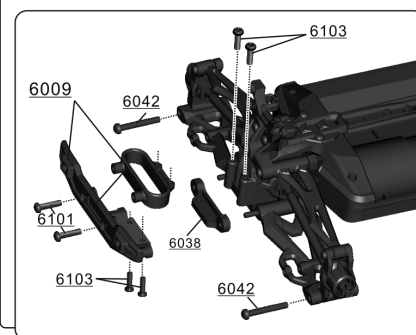
组装图(6) Assembly diagram(6)



车型: A, B
Motorcycle Type: A, B



安装前、后保险杠
Installation of front and rear bumpers

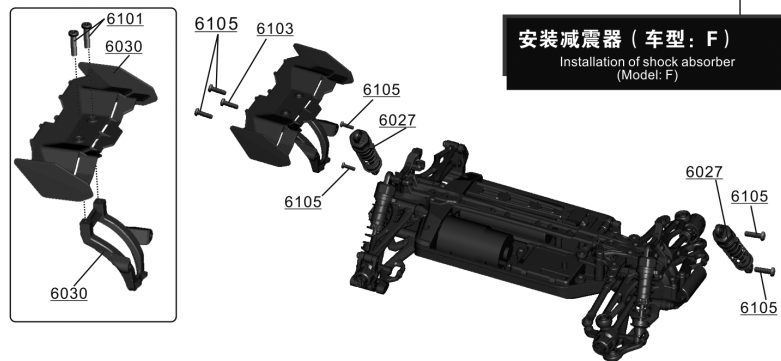


安装减震器 (车型: A, B)
Installation of shock absorbers (Model: A, B)

组装图(7) Assembly diagram (7)

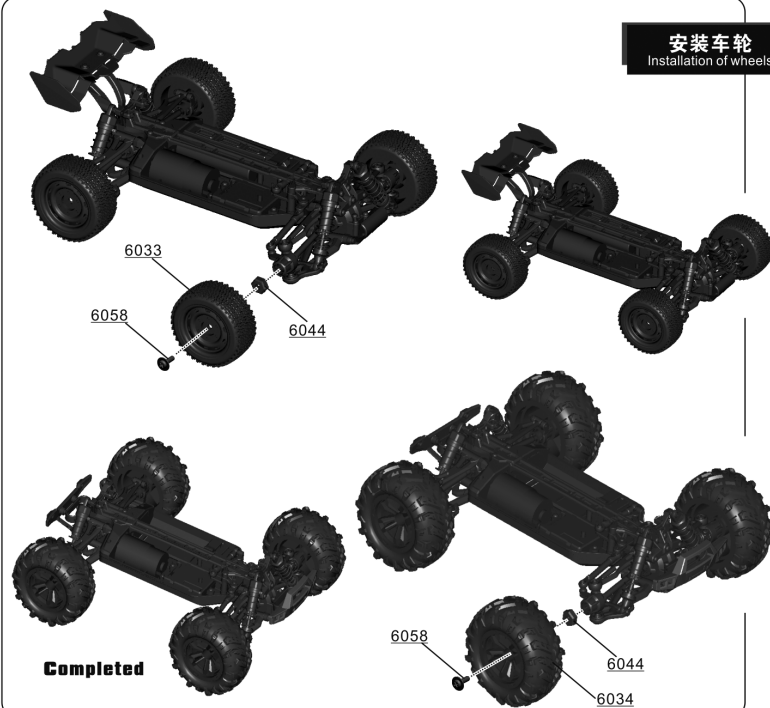
安装减震器 (车型: F)

Installation of shock absorber
(Model: F)



安装车轮

Installation of wheels



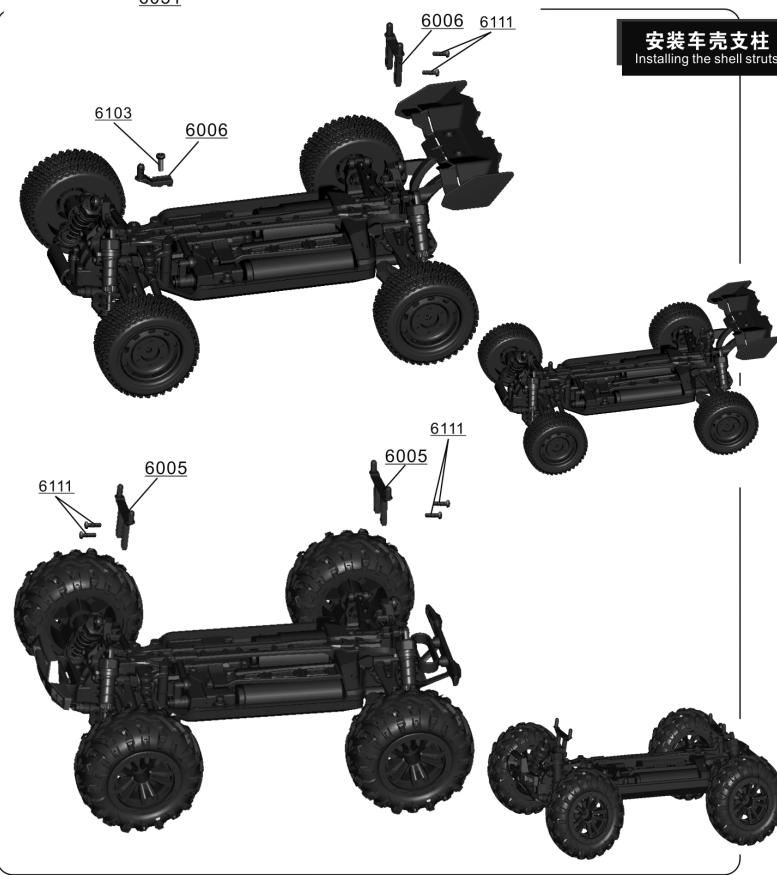
Completed

组装图(8) Assembly diagram (8)



安装电池
Installing the battery

6051

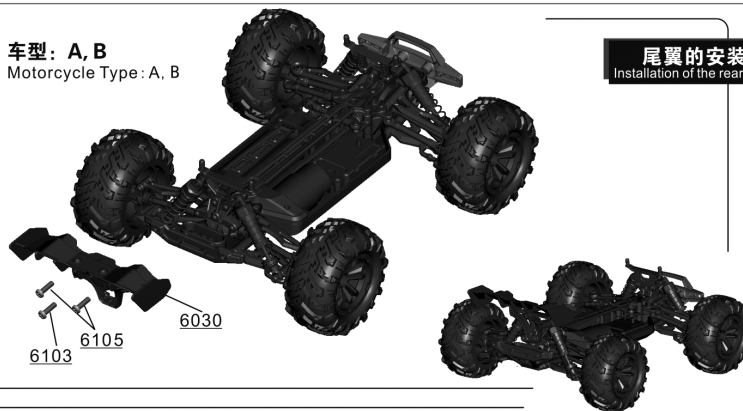


安装车壳支柱
Installing the shell struts

组装图(9) Assembly diagram (9)

车型: A, B
Motorcycle Type: A, B

尾翼的安装
Installation of the rear wing

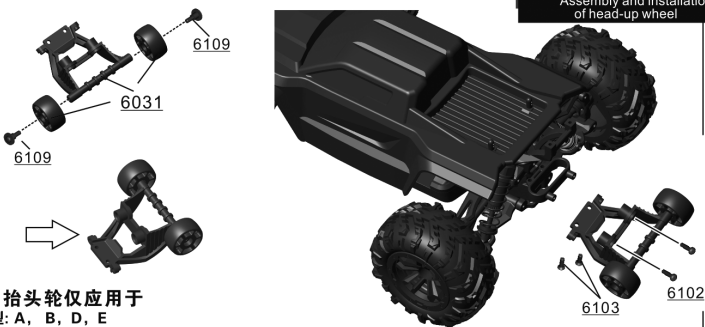


安装车壳
Installation of the car shell



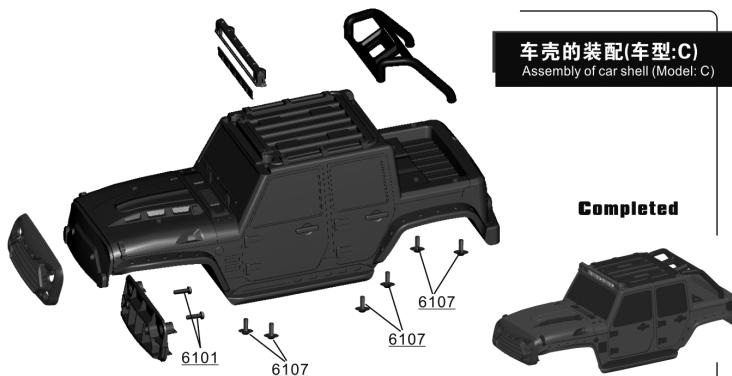
组装图(10) Assembly diagram (10)

抬头轮的装配与安装 Assembly and installation of head-up wheel

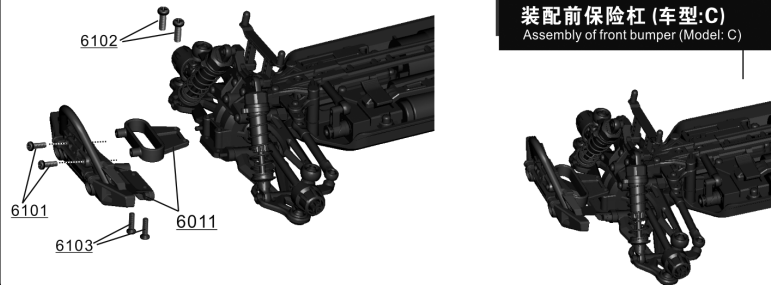


注: 抬头轮仅应用于
车型: A, B, D, E
Heads-up wheel is limited for A, B, D, E

车壳的装配(车型:C) Assembly of car shell (Model: C)



装配前保险杠(车型:C) Assembly of front bumper (Model: C)

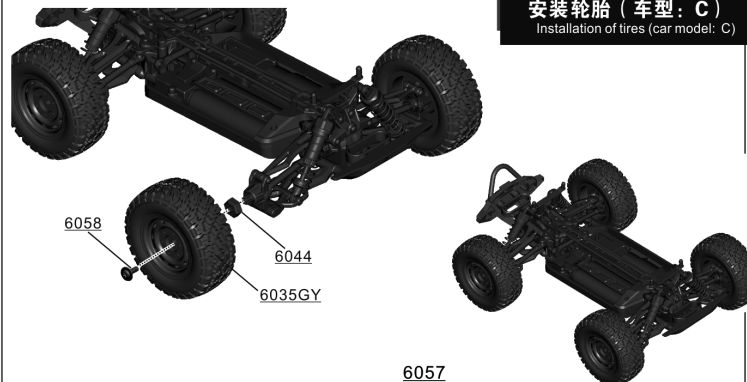


组装图(11) Assembly diagram (11)

后减震支架安装 (车型: C) Rear shock mount installation (car model: C)



安装轮胎 (车型: C) Installation of tires (car model: C)



安装车壳 (车型: C) Installation of car shell (car model: C)



模型车配件图(1) Model car accessories diagram (1)

6001	6002	6003	6004
 <p>底盘 Chassis</p>	 <p>金属二楼板 Metal second floor plate</p>	<p>仅适用于以下车型: A, B, C Only for the following models: A, B, C</p>  <p>前后通用减震支架 Front and rear universal shock mount</p>	<p>仅适用于以下车型: F Only for the following models: F</p>  <p>减震支架 (前、后) Shock mount (front and rear)</p>
<p>仅适用于以下车型: A, B Only for the following models: A, B</p>  <p>前后通用车壳支柱 Universal front and rear body pillars</p>	<p>仅适用于以下车型: F Only for the following models: F</p>  <p>车壳支柱 (前、后) Body pillars (front and rear)</p>	<p>仅适用于以下车型: C Only for the following models: C</p>  <p>前后通用车壳支柱 Universal shell struts front and rear</p>	<p>仅适用于以下车型: A, B Only for the following models: A, B</p>  <p>前保险杠, 前保险杠支架, 前灯板盖 Front Bumper/Brace/Headlight Cover</p>
<p>仅适用于以下车型: A, B Only for the following models: A, B</p>  <p>后保险杠, 后保险杠支架 Rear bumper, rear bumper bracket</p>	<p>仅适用于以下车型: F Only for the following models: F</p>  <p>保险杠 (前、后) Bumper (front and rear)</p>	<p>仅适用于以下车型: C Only for the following models: C</p>  <p>前保险杠, 前保险杠支架 Front bumper, front bumper bracket</p>	<p>仅适用于以下车型: C Only for the following models: C</p>  <p>后保险杠, 后保险杠支架 Rear bumper, rear bumper bracket</p>
 <p>转向曲臂连杆, 转向曲臂1, 转向曲臂2 Steering Crank arm 1, Steering Crank arm 2</p>	 <p>前上摆臂(左, 右) Front Upper Swing Arms(L/R)</p>	 <p>前下摆臂(左, 右) Front Lower swing Arms(L/R)</p>	 <p>后上摆臂(左, 右) Rear Upper Sway Arms(L/R)</p>
 <p>后下摆臂(左, 右) Rear Lower Sway Arms(L/R)</p>	 <p>舵机拉杆 转向拉杆 Servo tie rod Steering tie rod Servo mount</p>	 <p>舵机固定座 电池压条 Battery pressure bar</p>	 <p>前波箱盖 Front bellhousing cover</p>

产品实物与图片可能存在差异, 请以实物为准!
The actual product and the picture may differ, please prevail in kind!

模型车配件图(2) Model car accessories diagram (2)

<p>6021</p>  <p>后波箱盖 Rear gearbox cover</p>	<p>6022</p>  <p>主动齿轮 大齿轮 Active gear Large gear</p>	<p>6023</p>  <p>差速器总成 Differential assembly</p>	<p>6024</p>  <p>舵机臂缓冲套装 Servo arm cushion set</p>
<p>6025</p>  <p>转向杯(左, 右) Steering cup(L/R)</p>	<p>6026</p>  <p>后轴座(左, 右) Rear axle seat(L/R)</p>	<p>6027</p>  <p>减震器总成(2支) Shock absorber assembly (2)</p>	<p>6028</p>  <p>前万向传动节组件 Front universal drive joint assembly</p>
<p>6029</p>  <p>后轮轴 后传动狗骨 Rear axle Rear drive dogbone</p>	<p>6030</p> <p>仅适用于以下车型: A, B Only for the following models: A, B</p>  <p>尾翼、尾翼支架 Tail fin, tail fin bracket</p>	<p>6031</p> <p>仅适用于以下车型: A, B, D, E Only for the following models: A, B, D, E</p>  <p>抬头轮套件 Head-up wheel kit</p>	<p>6032</p>  <p>塑胶球头(8个) Plastic ball head (8pcs)</p>
<p>6033</p> <p>适用于车型: F For car model F</p>  <p>轮胎总成(一对) Tire assembly (pair)</p>	<p>6034</p> <p>适用于车型: A, B Car model A, B</p>  <p>轮胎总成(一对) Tire assembly (pair)</p>	<p>6035BL / 6035W / 6035GY</p> <p>适用于车型: C Car model C</p> <p>6035GY(配灰轮毂) 6035GY (with gray wheel frame)</p>  <p>轮胎总成(一对) Tire assembly (pair)</p>	<p>6036</p>  <p>中传动六角轴 Mid-drive hexagonal shaft 4x153.8mm</p>
<p>6037</p>  <p>电机固定座 Motor mount</p>	<p>6038</p>  <p>前后臂码 Front and rear arm code</p>	<p>6039</p>  <p>转向轴 4*30mm (2根) Steering shaft 4*30mm (2pcs)</p>	<p>6040</p>  <p>摆臂销 2.5*40mm (4根) Swing arm pin 2.5*40mm (4pcs)</p>



















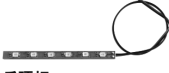

产品实物与图片可能存在差异, 请以实物为准!
The actual product and the picture may be different, please prevail in kind!

模型车配件图(3) Model car accessories diagram (3)

<p>6041</p>  <p>摆臂销 2.5*29.5mm (4根) Swing arm pin 2.5*29.5mm (4pcs)</p>	<p>6042</p>  <p>摆臂销 2.5*25.5mm(4根) Swing arm pin 2.5*25.5mm (4pcs)</p>	<p>6043</p>  <p>摆臂销 2.5*14mm (4根) Swing arm pin 2.5*14mm (4pcs)</p>	<p>6044</p>  <p>金属接合器 (4个) Metal joiner (4pcs)</p>
<p>6045</p>  <p>滚珠轴承 (4个) 8*13*3.5mm Ball bearing (4pcs) 8*13*3.5mm</p>	<p>6046</p>  <p>滚珠轴承 (4个) 6.35*9.5*3.2mm Ball bearing (4pcs) 6.35*9.5*3.2mm</p>	<p>6047</p>  <p>一体式有刷电调 ESC/receiver (2.4GHz,7.4V)</p>	<p>6048</p>  <p>马达散热片 Aluminum motor heat sink</p>
<p>6049</p>  <p>390电机总成 390 motor assembly</p>	<p>6050</p>  <p>五线17G转向舵机 5-wire 17G steering servo</p>	<p>6051</p>  <p>锂离子电池 7.4V 1300mAh Cylindrical li-ion battery 7.4V 1300mAh</p>	<p>6052</p>  <p>USB充电线 USB charging cable</p>
<p>6053</p>  <p>遥控器 Remote control</p>	<p>6054</p> <p>仅适用于以下车型: A, B Only for the following models: A, B</p>  <p>前灯组 Front light set</p>	<p>6055</p> <p>仅适用于以下车型: C Only for the following models: C</p>  <p>前灯组 Front light set</p>	<p>6056</p> <p>仅适用于以下车型: C, D, E Only for the following models: C, D, E</p>  <p>顶灯组 Top light set</p>
<p>6057</p>  <p>金属插销(8个) Metal pins(8pcs)</p>	<p>6058</p>  <p>外六角螺丝 2.6*15mm(8个) Hexagonal screws 2.6*15mm(8pcs)</p>	<p>6059</p>  <p>减震器调节扣环(4个) Shock absorber adjusting fasteners(4pcs)</p>	<p>6060</p>  <p>十字螺丝刀 Phillips screwdriver</p>

产品实物与图片可能存在差异, 请以实物为准!
The actual product and the picture may be different, please prevail in kind!

模型车配件图(4) Model car accessories diagram (4)

6061	6100	6101	6103
<p>仅适用于以下车型: C Only for the following models: C</p>  <p>前脸灯组 Front light set</p>	 <p>机丝圆头螺丝 (10个) BM 2.5*6mm Machine wire round head screws(10pcs) BM 2.5*6mm</p>	 <p>自攻圆头螺丝 (10个) PBH2.6*8mm Self-tapping round head screws(10pcs) PBH2.6*8mm</p>	 <p>自攻圆头螺丝 (10个) PBH 2.6*10mm Self-tapping round head screws(10pcs) PBH 2.6*10mm</p>
6104	6105	6106	6107
 <p>自攻下半牙圆头螺丝 (10个) PBH2.6*25mm Self-tapping lower half tooth round head screws(10pcs) PBH2.6*25mm</p>	 <p>机丝圆头螺丝 (10个) BM2.5*12mm Machine wire round head screws(10pcs) BM2.5*12mm</p>	 <p>自攻带介螺丝 (10个) 2.6*6mm PWB介8 Self-tapping screws with collar (10pcs) 2.6*6mm PWB collar 8</p>	 <p>自攻带介螺丝 (10个) 2.6*6mm PWB介6 Self-tapping screws with collar (10pcs) 2.6*6mm PWB collar 6</p>
6108	6109	6110	6111
 <p>自攻带介螺丝 (10个) 2.3*11mm PWB介8 Self-tapping screws with collar (10pcs) 2.3*11mm PWB collar 8</p>	 <p>自攻台阶螺丝 (10个) 4*13mm Self-tapping step screws (10pcs) 4*13mm</p>	 <p>自攻圆头螺丝 (10个) PBH 2.3*6mm Self-tapping round head screws (10pcs) PBH 2.3*6mm</p>	 <p>自攻沉头螺丝 (10个) PBH 2*10mm Self-tapping countersunk head screws(10pcs) PBH 2*10mm</p>
6112	6137	6138	6139
 <p>自攻沉头螺丝 (10个) KBH 2*12mm Self-tapping countersunk head screws(10pcs) KBH 2*12mm</p>	<p>仅适用于以下车型: C, D, E Only for the following models: C, D, E</p>  <p>轮胎总成 (一对) Tire assembly (pair)</p>	<p>仅适用于以下车型: D, E Only for the following models: D, E</p>  <p>车壳支柱 (前、后) Body pillars (front and rear)</p>	<p>仅适用于以下车型: D, E Only for the following models: D, E</p>  <p>前保险杠、前保险杠支架 Front bumper, front bumper bracket</p>
6140	6141	6142	6143
<p>仅适用于以下车型: D, E Only for the following models: D, E</p>  <p>后保险杠、后保险杠支架 Rear bumper, rear bumper bracket</p>	<p>仅适用于以下车型: D Only for the following models: D</p>  <p>前脸灯 Front light</p>	<p>仅适用于以下车型: D, E Only for the following models: D, E</p>  <p>后顶灯 Rear top light</p>	<p>仅适用于以下车型: D, E Only for the following models: D, E</p>  <p>端子接口 Terminal interface</p>

产品实物与图片可能存在差异, 请以实物为准!
The actual product and the picture may be different, please prevail in kind!

模型车配件图(5) Model car accessories diagram (5)

<p>6144</p> <p>仅适用于以下车型: C, D, E Only for the following models: C, D, E</p>  <p>轮胎总成 (一对) Tire assembly (pair)</p>	<p>6145</p> <p>仅适用于以下车型: E Only for the following models: E</p>  <p>车壳支柱 (前、后) Body pillars (front and rear)</p>	<p>6146</p> <p>仅适用于以下车型: E Only for the following models: E</p>  <p>前灯 Front light</p>	
<p>F 车型车壳 F CAR BODY</p>  <p>6200 (绿色) 6200 (Green) 6201 (黄色) 6201 (Yellow)</p>	<p>A 车型车壳 A CAR BODY</p>  <p>6210 (紫色) 6210 (Purple) 6211 (橙色) 6211 (Orange) 6212 (蓝色) 6212 (Blue)</p>	<p>B 车型车壳 B CAR BODY</p>  <p>6220 (绿色) 6220 (Green) 6221 (红色) 6221 (Red)</p>	<p>C 车型车壳 C CAR BODY</p>  <p>6230 (灰色) 6230 (Grey) 6231 (白色) 6231 (White) 6232 (橘黄色) 6232 (Orange)</p>
<p>D 车型车壳 D CAR BODY</p>  <p>6410 (红色) 6410 (Red) 6411 (蓝色) 6411 (blue) 6412 (橙色) 6412 (Orange)</p>	<p>E 车型车壳 E CAR BODY</p>  <p>6420 (红色) 6420 (Red) 6421 (黑色) 6421 (Black)</p>		

产品实物与图片可能存在差异, 请以实物为准!
The actual product and the picture may be different, please prevail in kind!

2.4GHz全比例同步遥控系统
2.4GHz full scale synchronous remote control system

产品说明书

PRODUCT MANUAL

使用前请仔细阅读说明书

Please read the manual carefully before use

车型:C
Motorcycle Type: C



注: 为符合包装规定, 压缩包装体积, 尾翼出厂前拆除。使用前请先自行安装!

Note: In order to comply with the packaging regulations and compress the volume of the package, the tail fin is removed before leaving the factory. Please install it by yourself before use!

- 在使用和组装前, 请仔细阅读说明书。
Please read the manual carefully before using and assembling.
 - 在每次使用前, 请确保已给模型车电池组充分充电。
Before each use, please make sure you have fully charged the model car battery pack.
 - 本产品不是玩具, 而是比例模型车。
This product is not a toy, it's a scale model car.
- 14岁以下儿童必须在成年人密切监督下方能操作。
Children under the age of 14 must be operated under close adult supervision.

四轮驱动
全比例
模型车
4WD
OFF-ROAD
VEHICLE

车型:D
Motorcycle Type: D



电动四驱模型车
ELECTRIC 4WD MODEL CAR

全车组装, 专业模型车配置
Fully assembled, professional model car configuration

VN.202302